

4-Bit Bi-Directional Parallel-Access Shift Register

LS95B

DESCRIPTION

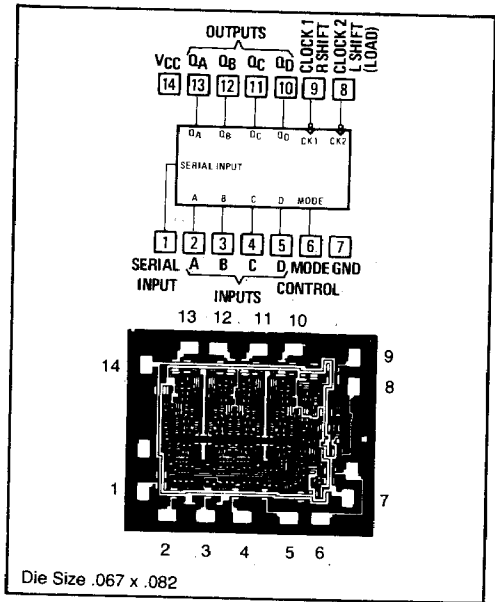
This 4-bit register features parallel and serial inputs, parallel outputs, mode control, and two clock inputs. The register has three modes of operation:

- Parallel (broadside) load
- Shift right (the direction Q_A toward Q_D)
- Shift left (the direction Q_D toward Q_A)

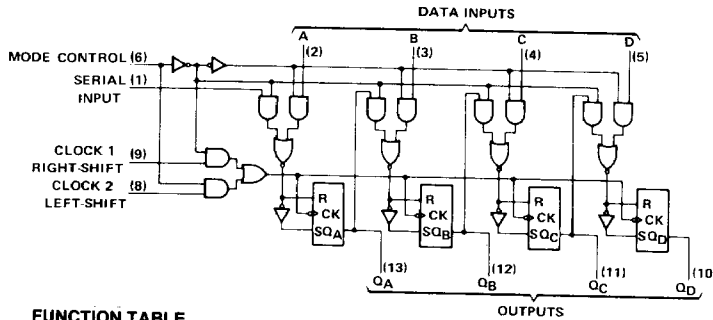
Parallel loading is accomplished by applying the four bits of data and taking the mode control input high. The data is loaded into the associated flip-flops and appears at the outputs after the high-to-low transition of the clock-2 input. During loading, the entry of serial data is inhibited.

Shift right is accomplished on the high-to-low transition of clock 1 when the mode control is low; shift left is accomplished on the high-to-low transition of clock 2 when the mode control is high by connecting the output of each flip-flop to the parallel input of the previous flip-flop (Q_D to input C, etc.) and serial data is entered at input D. The clock input may be applied commonly to clock 1 and clock 2 if both modes can be clocked from the same source. Changes at the mode control input should normally be made while both clock inputs are low; however, conditions described in the last three lines of the function table will also ensure that register contents are protected.

PIN-OUT DIAGRAM



LOGIC DIAGRAM



FUNCTION TABLE

MODE CONTROL	CLOCKS			INPUTS				OUTPUTS				
	2 (L)	1 (L)	1 (R)	SERIAL	PARALLEL				Q_A	Q_B	Q_C	Q_D
					A	B	C	D				
H	H	X	X	X	X	X	X	X	Q_{A0}	Q_{B0}	Q_{C0}	Q_{D0}
H	↓	X	X	X	a	b	c	d	a	b	c	d
H	↓	X	X	X	Q_{Bn}	Q_{Cn}	Q_{Dn}	d	Q_{A0}	Q_{B0}	Q_{C0}	Q_{D0}
L	L	H	X	X	X	X	X	X	H	Q_{An}	Q_{Bn}	Q_{Cn}
L	X	↓	H	X	X	X	X	X	L	Q_{An}	Q_{Bn}	Q_{Cn}
L	X	↓	L	X	X	X	X	X	Q_{A0}	Q_{B0}	Q_{C0}	Q_{D0}
↑	L	L	X	X	X	X	X	X	Q_{A0}	Q_{B0}	Q_{C0}	Q_{D0}
↓	L	L	X	X	X	X	X	X	Q_{A0}	Q_{B0}	Q_{C0}	Q_{D0}
↓	L	H	X	X	X	X	X	X	Q_{A0}	Q_{B0}	Q_{C0}	Q_{D0}
↑	H	L	X	X	X	X	X	X	Q_{A0}	Q_{B0}	Q_{C0}	Q_{D0}
↑	H	H	X	X	X	X	X	X	Q_{A0}	Q_{B0}	Q_{C0}	Q_{D0}

†Shifting left requires external connection of Q_B to A, Q_C to B, and Q_D to C. Serial data is entered at input D.
H = high level (steady state), L = low level (steady state), X = irrelevant (any input, including transitions)

↓ = transition from high to low level, ↑ = transition from low to high level
a, b, c, d = the level of steady-state input at input, A, B, C, or D, respectively.

Q_{A0} , Q_{B0} , Q_{C0} , Q_{D0} = the level of Q_A , Q_B , Q_C , or Q_D , respectively, before the indicated steady-state input conditions were established.

Q_{An} , Q_{Bn} , Q_{Cn} , Q_{Dn} = the level of Q_A , Q_B , Q_C , or Q_D , respectively, before the most-recent ↓ transition of the clock.

Recommended Operating Conditions

	9LS/54LS			9LS/74LS			Unit
	Min	Nom	Max	Min	Nom	Max	
Supply voltage, V_{CC}	4.5	5	5.5	4.75	5	5.25	V
High-level output current, I_{OH}			-400			-400	μA
Low-level output current, I_{OL}			4			8	mA
Clock frequency, f_{clock}	0		20	0		20	MHz
Width of clock pulse, $t_{w(clock)}$ (see Figure 2 page 2-57)	25			25			ns
Setup time, high-level or low-level data, t_{setup} (see Figure 1 page 2-57)	0			0			ns
Hold time, high-level or low-level data, t_{hold} (see Figure 1 page 2-57)	20			20			ns
Time to enable clock 1, $t_{enable 1}$ (see Figure 2 page 2-57)	20			20			ns
Time to enable clock 2, $t_{enable 2}$ (see Figure 2 page 2-57)	20			20			ns
Time to inhibit clock 1, $t_{inhibit 1}$ (see Figure 2 page 2-57)	10			10			ns
Time to inhibit clock 2, $t_{inhibit 2}$ (see Figure 1 page 2-57)	10			10			ns
Operating free-air temperature T_A	-55		125	0		70	$^{\circ}C$

Electrical Characteristics Over Recommended Free-Air Temperature Range (Unless Otherwise Noted)

Parameter		Test Conditions*	9LS/54LS			9LS/74LS			Unit
			Min	Typ**	Max	Min	Typ**	Max	
V_{IH}			2			2			V
V_{IL}					0.7			0.8	V
V_I		$V_{CC} = MIN, I_I = -18mA$			-1.5			-1.5	V
V_{OH}		$V_{CC} = MIN, V_{IH} = 2V, V_{IL} = V_{IL} max, I_{OH} = -400\mu A$	2.5	3.4		2.7	3.4		V
V_{OL}		$V_{CC} = MIN, V_{IH} = 2V, V_{IL} = V_{IL} max$		0.25	0.4		0.25	0.4	V
		$I_{OL} = 4mA$ $I_{OL} = 8mA$					0.35	0.5	
I_I	Mode inputs	$V_{CC} = MAX, V_I = 7V$			0.2			0.2	mA
	Other inputs				0.1			0.1	
I_{IH}	Mode inputs	$V_{CC} = MAX, V_I = 2.7V$			40			40	μA
	Other inputs				20			20	
I_{IL}	Mode inputs	$V_{CC} = MAX, V_I = 0.4V$			-0.8			-0.8	mA
	Other inputs				-0.4			-0.4	
I_{OS}^{\dagger}		$V_{CC} = MAX,$	-15		-100	-15		-100	mA
$I_{CC}^{\dagger\dagger}$		$V_{CC} = MAX,$ See Note 1		13	21		13	21	mA

*For conditions shown as MIN or MAX, use the appropriate value specified under recommended operating conditions for the applicable device type.

**All typical values are at $V_{CC} = 5V, T_A = 25^{\circ}C$.

\dagger Not more than one output should be shorted at a time.

$\dagger\dagger I_{CC}$ is measured with all outputs and serial inputs open; A, B, C, and D inputs grounded; mode control at 4.5V; and a momentary 3V then ground, applied to both clock inputs.

Switching Characteristics, $V_{CC} = 5V$ Over Recommended Free-Air Temperature Range

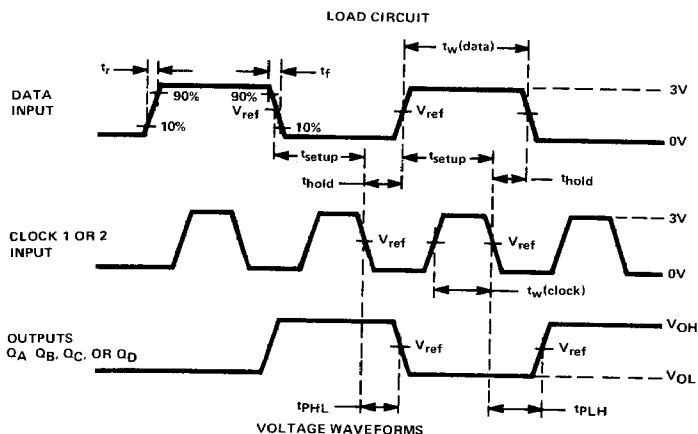
Parameter	-55°C			+25°C			+125°C			Unit
	Min	Typ	Max	Min	Typ	Max	Min	Typ	Max	
Test Conditions: $C_L = 15pF, R_L = 2k\Omega$ (See Fig. A, page 2-174 and Fig. 1 and 2, page 2-57)										
f_{max}				20	30					MHz
t_{PLH}		28	37		27	35		28	37	ns
t_{PHL}		32	45		30	40		32	45	ns
Test Conditions: $C_L = 15pF, R_L = 2k\Omega$ (See Fig. A, page 2-174 and Fig. 1 and 2, page 2-57)										
t_{PLH}		32	42		31	40		32	42	ns
t_{PHL}		36	50		34	45		36	50	ns

Note: AC specification shown under -55°C and +125°C are for 9LS devices only. All 50pF specifications are for 9LS devices only.

4-Bit Bi-Directional Parallel-Access Shift Register

LS95B

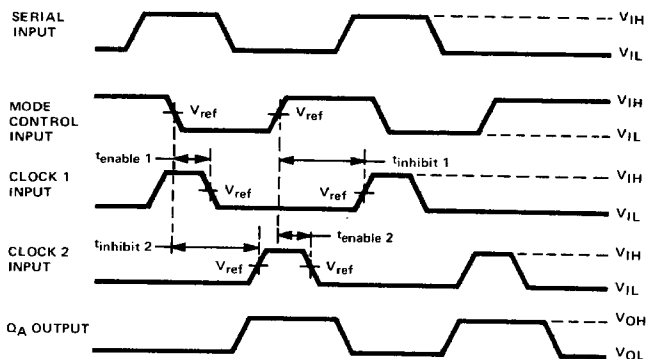
PARAMETER MEASUREMENT INFORMATION



VOLTAGE WAVEFORMS
FIGURE 1 – SWITCHING TIMES

NOTES:

- A. Input pulses are supplied by a generator having the following characteristics: $t_r \leq 10$ ns, $t_f \leq 10$ ns, and $Z_{out} \cong 50\Omega$. For the data pulse generator, PRR = 500kHz; for the clock pulse generator, PRR = 1MHz. When testing f_{max} , vary PRR. $t_w(data) \geq 20$ ns, $t_w(clock) \geq 15$ ns.
- B. $V_{ref} = 1.3V$.



VOLTAGE WAVEFORMS
FIGURE 2 – CLOCK ENABLE/INHIBIT TIMES

NOTES:

- A. Input A is at a low level.
- B. $V_{ref} = 1.3V$.

