

54ABT543

Octal Registered Transceiver with TRI-STATE® Outputs

General Description

The 54ABT543 octal transceiver contains two sets of D-type latches for temporary storage of data flowing in either direction. Separate Latch Enable and Output Enable inputs are provided for each register to permit independent control of inputting and outputting in either direction of data flow.

Features

- Back-to-back registers for storage
- Bidirectional data path

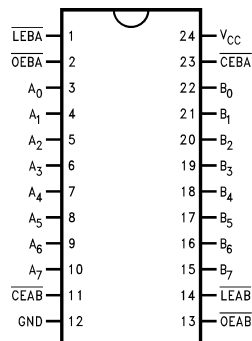
- A and B outputs have current sourcing capability of 24 mA and current sinking capability of 48 mA
- Separate controls for data flow in each direction
- Guaranteed latchup protection
- High impedance glitch free bus loading during entire power up and power down cycle
- Nondestructive hot insertion capability
- Standard Military Drawing (SMD) 5962-9231401

Ordering Code:

Military	Package Number	Package Description
54ABT543J-QML	J24F	24-Lead Ceramic Dual-In-Line
54ABT543W-QML	W24C	24-Lead Cerpack
54ABT543E-QML	E28A	28-Lead Ceramic Leadless Chip Carrier, Type C

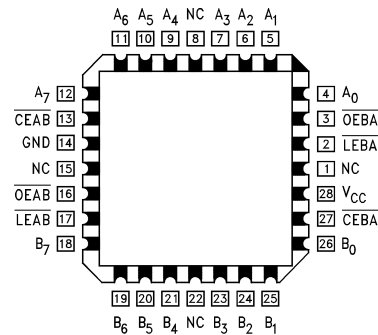
Connection Diagrams

Pin Assignment for
DIP and Flatpak



10021801

Pin Assignment
for LCC



10021802

Pin Descriptions

Pin Names	Description
\overline{OEAB} , \overline{OEBA}	Output Enable Inputs
\overline{LEAB} , \overline{LEBA}	Latch Enable Inputs
\overline{CEAB} , \overline{CEBA}	Chip Enable Inputs
A_0 - A_7	Side A Inputs or TRI-STATE Outputs
B_0 - B_7	Side B Inputs or TRI-STATE Outputs

Functional Description

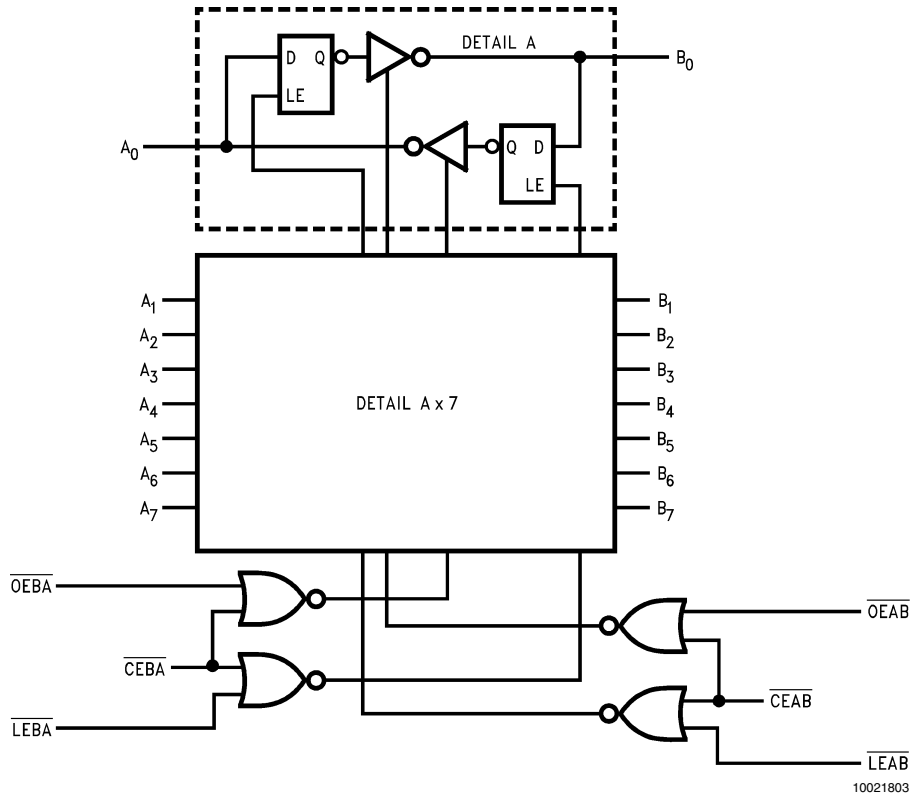
The 'ABT543 contains two sets of D-type latches, with separate input and output controls for each. For data flow from A to B, for example, the A to B Enable (\overline{CEAB}) input must be low in order to enter data from the A port or take data from the B port as indicated in the Data I/O Control Table. With \overline{CEAB} low, a low signal on (\overline{LEAB}) input makes the A to B latches transparent; a subsequent low to high transition of the \overline{LEAB} line puts the A latches in the storage mode and their outputs no longer change with the A inputs. With \overline{CEAB} and \overline{OEAB} both low, the B output buffers are active and reflect the data present on the output of the A latches. Control of data flow from B to A is similar, but using the \overline{CEBA} , \overline{LEBA} and \overline{OEBA} .

Data I/O Control Table

Inputs			Latch Status	Output Buffers
\overline{CEAB}	\overline{LEAB}	\overline{OEAB}		
H	X	X	Latched	High Z
X	H	X	Latched	—
L	L	X	Transparent	—
X	X	H	—	High Z
L	X	L	—	Driving

H = High Voltage Level
L = Low Voltage Level
X = Immaterial

Logic Diagram



Absolute Maximum Ratings (Note 1)

If Military/Aerospace specified devices are required, please contact the National Semiconductor Sales Office/Distributors for availability and specifications.

Storage Temperature	-65°C to +150°C
Ambient Temperature under Bias	-55°C to +125°C
Junction Temperature under Bias	
Ceramic	-55°C to +175°C
V _{CC} Pin Potential to	
Ground Pin	-0.5V to +7.0V
Input Voltage (Note 2)	-0.5V to +7.0V
Input Current (Note 2)	-30 mA to +5.0 mA
Voltage Applied to Any Output	
in the Disable or Power-Off State	-0.5V to +5.5V
in the HIGH State	-0.5V to V _{CC}
Current Applied to Output	

in LOW State (Max)	twice the rated I _{OL} (mA)
DC Latchup Source Current	-500 mA
Over Voltage Latchup (I/O)	10V

Recommended Operating Conditions

Free Air Ambient Temperature	
Military	-55°C to +125°C
Supply Voltage	
Military	+4.5V to +5.5V
Minimum Input Edge Rate	(ΔV/Δt)
Data Input	50 mV/ns
Enable Input	20 mV/ns
Clock Input	100 mV/ns

DC Electrical Characteristics

Symbol	Parameter	ABT543			Units	V _{CC}	Conditions
		Min	Typ	Max			
V _{IH}	Input HIGH Voltage	2.0			V		Recognized HIGH Signal
V _{IL}	Input LOW Voltage			0.8	V		Recognized LOW Signal
V _{CD}	Input Clamp Diode Voltage			-1.2	V	Min	I _{IN} = -18 mA (Non I/O Pins)
V _{OH}	Output HIGH Voltage	54ABT	2.5		V	Min	I _{OH} = -3 mA, (A _n , B _n)
		54ABT	2.0				
V _{OL}	Output LOW Voltage	54ABT		0.55	V	Min	I _{OL} = 48 mA, (A _n , B _n)
V _{ID}	Input Leakage Test		4.75		V	0.0	I _{ID} = 1.9 μA, (Non-I/O Pins) All Other Pins Grounded
I _{IH}	Input HIGH Current			5	μA	Max	V _{IN} = 2.7V (Non-I/O Pins) (Note 3) V _{IN} = V _{CC} (Non-I/O Pins)
I _{BVI}	Input HIGH Current Breakdown Test			7	μA	Max	V _{IN} = 7.0V (Non-I/O Pins)
I _{BVIT}	Input HIGH Current Breakdown Test (I/O)			100	μA	Max	V _{IN} = 5.5V (A _n , B _n)
I _{IL}	Input LOW Current			-5	μA	Max	V _{IN} = 0.5V (Non-I/O Pins)(Note 3) V _{IN} = 0.0V (Non-I/O Pins)
I _{IH} + I _{OZH}	Output Leakage Current			50	μA	0V-5.5V	V _{OUT} = 2.7V (A _n , B _n); OEAB or CEAB = 2V
I _{IL} + I _{OZL}	Output Leakage Current			-50	μA	0V-5.5V	V _{OUT} = 0.5V (A _n , B _n); OEAB or CEAB = 2V
I _{OS}	Output Short-Circuit Current	-100	-275		mA	Max	V _{OUT} = 0V (A _n , B _n)
I _{CEx}	Output HIGH Leakage Current			50	μA	Max	V _{OUT} = V _{CC} (A _n , B _n)
I _{ZZ}	Bus Drainage Test			100	μA	0.0V	V _{OUT} = 5.5V (A _n , B _n); All Others GND
I _{CCLH}	Power Supply Current			50	μA	Max	All Outputs HIGH
I _{CCL}	Power Supply Current			30	mA	Max	All Outputs LOW
I _{CCZ}	Power Supply Current			50	μA	Max	Outputs TRI-STATE All Others at V _{CC} or GND

DC Electrical Characteristics (Continued)

Symbol	Parameter	ABT543			Units	V _{CC}	Conditions
		Min	Typ	Max			
I _{CC} T	Additional I _{CC} /Input		2.5		mA	Max	V _I = V _{CC} - 2.1V All Others at V _{CC} or GND
I _{CC} D	Dynamic I _{CC} No Load (Note 3)		0.18		mA/MHz	Max	Outputs Open, \overline{CEAB} and $\overline{OEAB} = \text{GND}, \overline{CEBA} =$ V _{CC} , One Bit Toggling, 50% Duty Cycle, (Note 4)

Note 1: Absolute maximum ratings are values beyond which the device may be damaged or have its useful life impaired. Functional operation under these conditions is not implied.

Note 2: Either voltage limit or current limit is sufficient to protect inputs.

Note 3: Guaranteed but not tested.

Note 4: For 8-bit toggling. I_{CC}D < 1.4 mA/MHz.

DC Electrical Characteristics

Symbol	Parameter	Min	Max	Units	V _{CC}	Conditions
						C _L = 50 pF, R _L = 500Ω
V _{OLP}	Quiet Output Maximum Dynamic V _{OL}		1.1	V	5.0	T _A = 25°C (Note 5)
V _{OLV}	Quiet Output Minimum Dynamic V _{OL}		-0.45	V	5.0	T _A = 25°C (Note 5)

Note 5: Max number of outputs defined as (n). n - 1 data inputs are driven 0V to 3V. One output at LOW.

AC Electrical Characteristics

Symbol	Parameter	54ABT		Units	Fig. No.
		T _A = -55°C to +125°C V _{CC} = 4.5V-5.5V C _L = 50 pF			
		Min	Max		
t _{PLH}	Propagation Delay	1.6	6.4	ns	Figure 4
t _{PHL}	A _n to B _n or B _n to A _n	1.6	6.2		
t _{PLH} t _{PHL}	Propagation Delay \overline{LEAB} to B _n , \overline{LEBA} to A _n	1.6	6.6	ns	Figure 4
	\overline{OEBA} or \overline{OEAB} to A _n or B _n	1.6	6.4		
t _{PZH} t _{PZL}	Enable Time \overline{LEAB} to B _n , \overline{LEBA} to A _n	1.3	6.4	ns	Figure 6
	\overline{OEBA} or \overline{OEAB} to A _n or B _n	1.8	7.4		
t _{PHZ}	Disable Time	2.0	7.2	ns	Figure 6
t _{PLZ}	\overline{CEBA} or \overline{CEAB} to A _n or B _n	1.5	7.0		

AC Operating Requirements

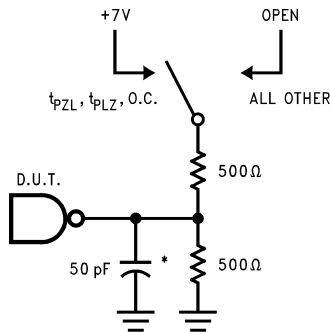
Symbol	Parameter	54ABT		Units	Fig. No.
		$T_A = -55^{\circ}\text{C to } +125^{\circ}\text{C}$ $V_{CC} = 4.5\text{V} - 5.5\text{V}$ $C_L = 50\text{ pF}$			
		Min	Max		
$t_{S(H)}$	Setup Time, HIGH or LOW	3.5		ns	Figure 7
$t_{S(L)}$	A_n or B_n to \overline{LEBA} or \overline{LEAB}	3.0			
$t_{H(H)}$	Hold Time, HIGH or LOW	2.0		ns	Figure 7
$t_{H(L)}$	A_n or B_n to \overline{LEBA} or \overline{LEAB}	2.0			
$t_{S(H)}$	Setup Time, HIGH or LOW	3.3		ns	Figure 7
$t_{S(L)}$	A_n or B_n to \overline{CEAB} or \overline{CEBA}	2.5			
$t_{H(H)}$	Hold Time, HIGH or LOW	2.0		ns	Figure 7
$t_{H(L)}$	A_n or B_n to \overline{CEAB} or \overline{CEBA}	2.0			
$t_{W(L)}$	Pulse Width, LOW	3.5		ns	Figure 5

Capacitance

Symbol	Parameter	Typ	Units	Conditions: $T_A = 25^{\circ}\text{C}$
C_{IN}	Input Capacitance	5.0	pF	$V_{CC} = 0\text{V}$ (non I/O pins)
$C_{I/O}$ (Note 6)	Output Capacitance	11.0	pF	$V_{CC} = 5.0\text{V}$ (A_n, B_n)

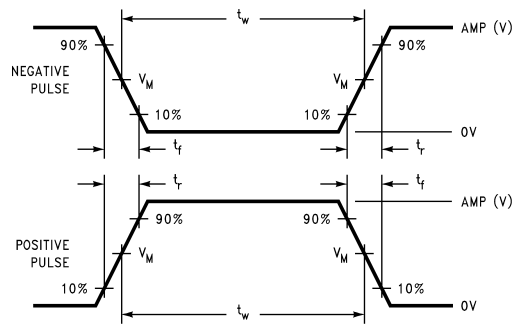
Note 6: $C_{I/O}$ is measured at frequency, $f = 1\text{ MHz}$, PER MIL-STD-883, METHOD 3012.

AC Loading



*Includes jig and probe capacitance

FIGURE 1. Standard AC Test Load



**FIGURE 2. $V_M = 1.5\text{V}$
Input Pulse Requirements**

Amplitude	Rep. Rate	t_w	t_r	t_f
3V	1 MHz	500 ns	2.5 ns	2.5 ns

FIGURE 3. Test Input Signal Requirements

AC Loading (Continued)

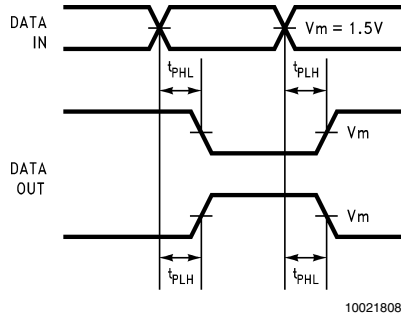


FIGURE 4. Propagation Delay Waveforms for Inverting and Non-Inverting Functions

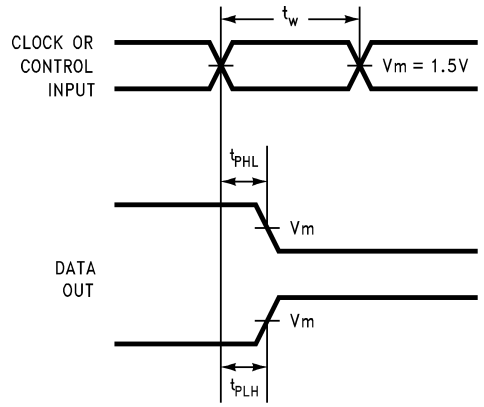


FIGURE 5. Propagation Delay, Pulse Width Waveforms

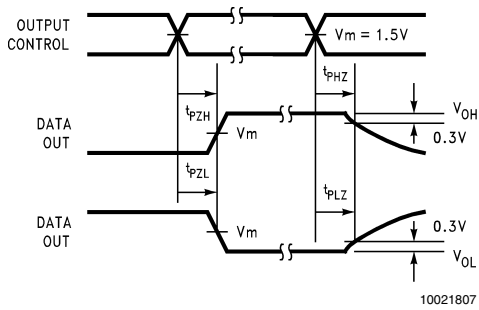


FIGURE 6. TRI-STATE Output HIGH and LOW Enable and Disable Times

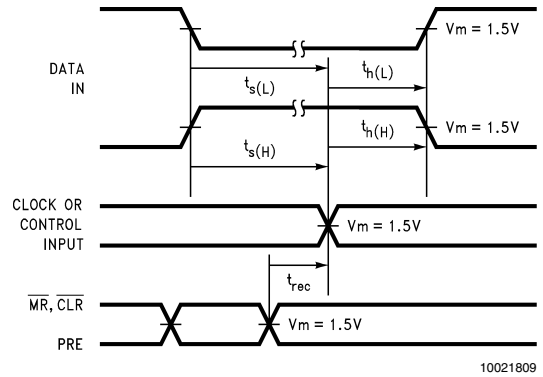
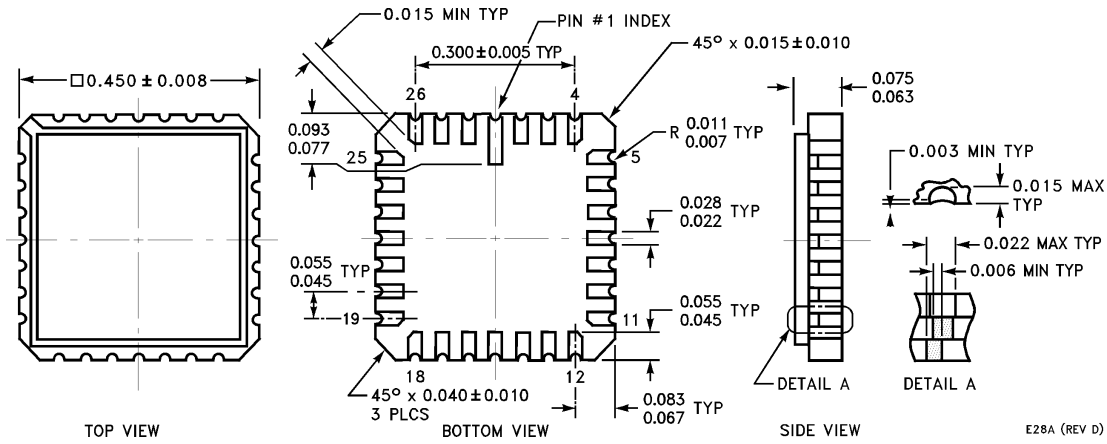


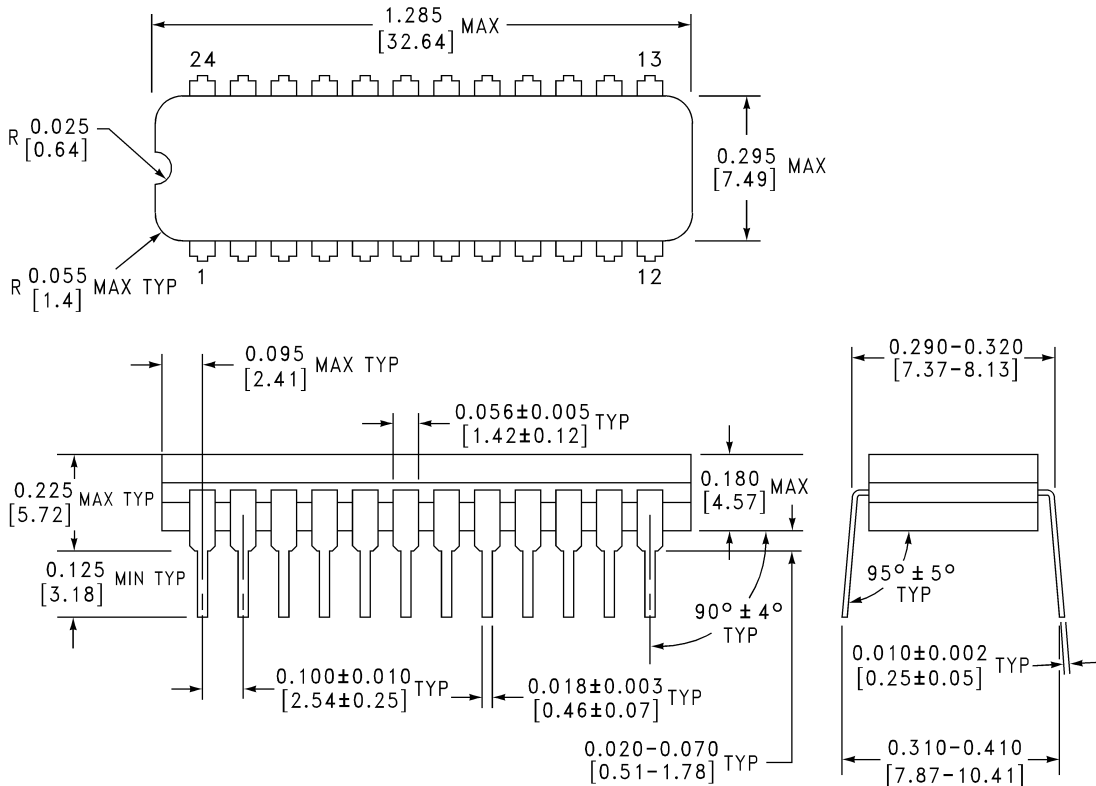
FIGURE 7. Setup Time, Hold Time and Recovery Time Waveforms

Physical Dimensions inches (millimeters)

unless otherwise noted

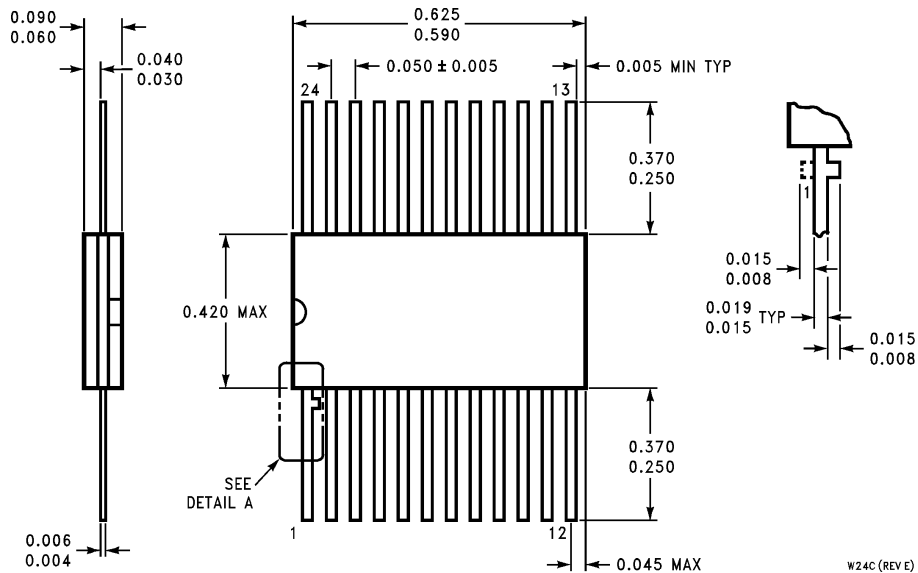


28-Lead Ceramic Leadless Chip Carrier (L)
Order Number 54ABT543E-QML
NS Package Number E28A



24-Lead Ceramic Dual-In-Line Package
Order Number 54ABT543J-QML
NS Package Number J24F

Physical Dimensions inches (millimeters) unless otherwise noted (Continued)



24-Lead Ceramic Flatpak Package (F)
Order Number 54ABT543W-QML
NS Package Number W24C

LIFE SUPPORT POLICY

NATIONAL'S PRODUCTS ARE NOT AUTHORIZED FOR USE AS CRITICAL COMPONENTS IN LIFE SUPPORT DEVICES OR SYSTEMS WITHOUT THE EXPRESS WRITTEN APPROVAL OF THE PRESIDENT AND GENERAL COUNSEL OF NATIONAL SEMICONDUCTOR CORPORATION. As used herein:

1. Life support devices or systems are devices or systems which, (a) are intended for surgical implant into the body, or (b) support or sustain life, and whose failure to perform when properly used in accordance with instructions for use provided in the labeling, can be reasonably expected to result in a significant injury to the user.
2. A critical component is any component of a life support device or system whose failure to perform can be reasonably expected to cause the failure of the life support device or system, or to affect its safety or effectiveness.



National Semiconductor Corporation
 Americas
 Email: support@nsc.com

www.national.com

National Semiconductor Europe
 Fax: +49 (0) 180-530 85 86
 Email: europe.support@nsc.com
 Deutsch Tel: +49 (0) 69 9508 6208
 English Tel: +44 (0) 870 24 0 2171
 Français Tel: +33 (0) 1 41 91 8790

National Semiconductor Asia Pacific Customer Response Group
 Tel: 65-2544466
 Fax: 65-2504466
 Email: ap.support@nsc.com

National Semiconductor Japan Ltd.
 Tel: 81-3-5639-7560
 Fax: 81-3-5639-7507