

100355 Low Power Quad Multiplexer/Latch

General Description

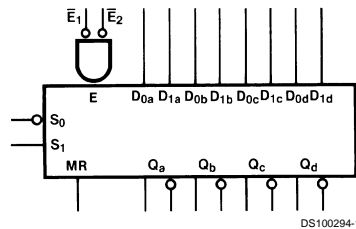
The 100355 contains four transparent latches, each of which can accept and store data from two sources. When both Enable (\bar{E}_n) inputs are LOW, the data that appears at an output is controlled by the Select (S_n) inputs, as shown in the Operating Mode table. In addition to routing data from either D_0 or D_1 , the Select inputs can force the outputs LOW for the case where the latch is transparent (both Enables are LOW) and can steer a HIGH signal from either D_0 or D_1 to an output. The Select inputs can be tied together for applications requiring only that data be steered from either D_0 or D_1 . A positive-going signal on either Enable input latches the out-

puts. A HIGH signal on the Master Reset (MR) input overrides all the other inputs and forces the Q outputs LOW. All inputs have 50 k Ω pulldown resistors.

Features

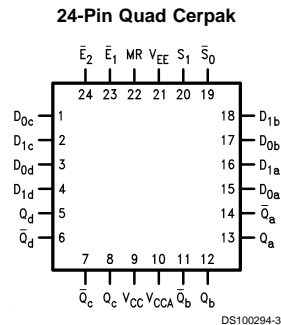
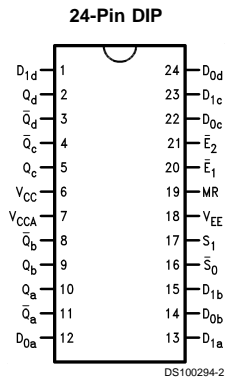
- Greater than 40% power reduction of the 100155
- 2000V ESD protection
- Pin/function compatible with 100155
- Voltage compensated operating range = -4.2V to -5.7V
- Standard Microcircuit Drawing (SMD) 5962-9165401

Logic Symbol

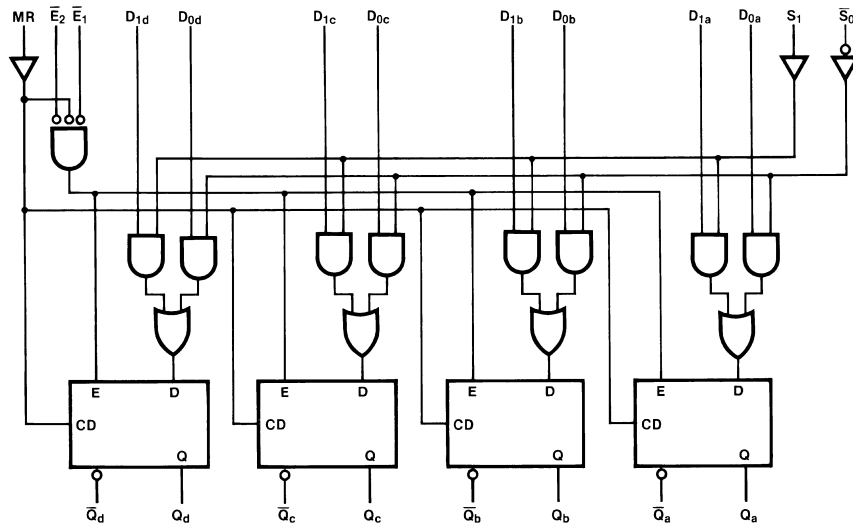


Pin Names	Description
\bar{E}_1, \bar{E}_2	Enable Inputs (Active LOW)
\bar{S}_0, S_1	Select Inputs
MR	Master Reset
$D_{na}-D_{nd}$	Data Inputs
Q_a-Q_d	Data Outputs
$\bar{Q}_a-\bar{Q}_d$	Complementary Data Outputs

Connection Diagrams



Logic Diagram



DS100294-5

Operating Mode Table

Controls				Outputs
\bar{E}_1	\bar{E}_2	S_1	\bar{S}_0	Q_n
H	X	X	X	Latched (Note 1)
X	H	X	X	Latched (Note 1)
L	L	L	L	D_{0x}
L	L	H	L	$D_{0x} + D_{1x}$
L	L	L	H	L
L	L	H	H	D_{1x}

H = HIGH Voltage Level

L = LOW Voltage Level

X = Don't Care

Note 1: Stores data present before \bar{E} went HIGH

Truth Table

MR	Inputs						Outputs	
	\bar{E}_1	\bar{E}_2	S_1	\bar{S}_0	D_{1x}	D_{0x}	\bar{Q}_x	Q_x
H	X	X	X	X	X	X	H	L
L	L	L	H	H	H	X	L	H
L	L	L	H	H	L	X	H	L
L	L	L	L	L	X	H	L	H
L	L	L	L	L	X	L	H	L
L	L	L	L	H	X	X	H	L
L	L	L	H	L	H	X	L	H
L	L	L	H	L	X	H	L	H
L	L	L	H	L	L	L	H	L
L	H	X	X	X	X	X	Latched (Note 1)	
L	X	H	X	X	X	X	Latched (Note 1)	

Absolute Maximum Ratings (Note 2)

If Military/Aerospace specified devices are required, please contact the National Semiconductor Sales Office/Distributors for availability and specifications. Above which the useful life may be impaired.

Storage Temperature (T _{STG})	-65°C to +150°C
Maximum Junction Temperature (T _J)	
Ceramic	+175°C
V _{EE} Pin Potential to Ground Pin	-7.0V to +0.5V
Input Voltage (DC)	V _{EE} to +0.5V
Output Current (DC Output HIGH)	-50 mA

ESD (Note 3)

≥2000V

Recommended Operating Conditions

Case Temperature (T _C)	
Military	-55°C to +125°C
Supply Voltage (V _{EE})	-5.7V to -4.2V

Note 2: Absolute maximum ratings are those values beyond which the device may be damaged or have its useful life impaired. Functional operation under these conditions is not implied.

Note 3: ESD testing conforms to MIL-STD-883, Method 3015.

Military Version DC Electrical Characteristics

V_{EE} = -4.2V to -5.7V, V_{CC} = V_{CCA} = GND, T_C = -55°C to +125°C

Symbol	Parameter	Min	Max	Units	T _C	Conditions	Notes	
V _{OH}	Output HIGH Voltage	-1025	-870	mV	0°C to +125°C	V _{IN} = V _{IH (Max)} or V _{IL (Min)}	Loading with 50Ω to -2.0V	(Notes 4, 5, 6)
		-1085	-870	mV	-55°C			
V _{OL}	Output LOW Voltage	-1830	-1620	mV	0°C to +125°C	V _{IN} = V _{IH (Min)} or V _{IL (Max)}	Loading with 50Ω to -2.0V	(Notes 4, 5, 6)
		-1830	-1555	mV	-55°C			
V _{OHC}	Output HIGH Voltage	-1035		mV	0°C to +125°C	V _{IN} = V _{IH (Min)} or V _{IL (Max)}	Loading with 50Ω to -2.0V	(Notes 4, 5, 6)
V _{OLC}	Output LOW Voltage	-1085		mV	-55°C			
			-1610	mV	0°C to +125°C			
			-1555	mV	-55°C			
V _{IH}	Input HIGH Voltage	-1165	-870	mV	-55°C to +125°C	Guaranteed HIGH Signal for ALL Inputs	(Notes 4, 5, 6, 7)	
V _{IL}	Input LOW Voltage	-1830	-1475	mV	-55°C to +125°C	Guaranteed LOW Signal for ALL Inputs	(Notes 4, 5, 6, 7)	
I _{IL}	Input LOW Current	0.50		μA	-55°C to +125°C	V _{EE} = -4.2V V _{IN} = V _{IL (Min)}	(Notes 4, 5, 6)	
I _{IH}	Input HIGH Current S ₀ , S ₁ E ₁ , E ₂ D _{na} -D _{nd} MR		220	μA	0°C to +125°C	V _{EE} = -5.7V V _{IN} = V _{IH (Max)}	(Notes 4, 5, 6)	
			350					
			340	μA	-55°C			
			430					
			320	μA	-55°C			
			500					
			490	μA	-55°C			
			630					
I _{EE}	Power Supply Current	-95	-32	mA	-55°C to +125°C	Inputs Open	(Notes 4, 5, 6)	

Note 4: F100K 300 Series cold temperature testing is performed by temperature soaking (to guarantee junction temperature equals -55°C), then testing immediately without allowing for the junction temperature to stabilize due to heat dissipation after power-up. This provides "cold start" specs which can be considered a worst case condition at cold temperatures.

Note 5: Screen tested 100% on each device at -55°C, +25°C, and +125°C Temp., Subgroups 1, 2, 3, 7, and 8.

Note 6: Sample tested (Method 5005, Table 1) on each Mfg. lot at +25°, +125°C, and -55°C Temp., Subgroups 1, 2, 3, 7, and 8.

Note 7: Guaranteed by applying specified input condition and testing V_{OH}/V_{OL}.

Military Version AC Electrical Characteristics

$V_{EE} = -4.2V$ to $-5.7V$, $V_{CC} = V_{CCA} = GND$

Symbol	Parameter	$T_C = -55^\circ C$		$T_C = +25^\circ C$		$T_C = +125^\circ C$		Units	Conditions	Notes
		Min	Max	Min	Max	Min	Max			
t_{PLH} t_{PHL}	Propagation Delay $D_{na}-D_{nd}$ to Output (Transparent Mode)	0.40	2.30	0.50	2.20	0.50	2.60	ns	Figures 1, 2	(Notes 8, 9, 10)
t_{PLH} t_{PHL}	Propagation Delay \bar{S}_0, S_1 to Output (Transparent Mode)	0.60	3.00	0.80	2.70	0.80	3.20	ns		
t_{PLH} t_{PHL}	Propagation Delay \bar{E}_1, \bar{E}_2 to Output	0.50	2.60	0.60	2.30	0.70	2.70	ns		
t_{PLH} t_{PHL}	Propagation Delay MR to Output	0.60	2.80	0.70	2.60	0.70	2.90	ns	Figures 1, 3	(Notes 8, 9, 10)
t_{TLH} t_{THL}	Transition Time 20% to 80%, 80% to 20%	0.40	1.90	0.40	1.90	0.40	1.90	ns	Figures 1, 2	(Note 11)
t_S	Setup Time $D_{na}-D_{nd}$	0.90		0.90		0.90		ns	Figure 4	(Note 11)
	\bar{S}_0, S_1	2.40		2.40		2.40			Figure 3	
	MR (Release Time)	1.50		1.50		1.50				
t_H	Hold Time $D_{na}-D_{nd}$	0.40		0.40		0.40		ns	Figure 4	(Note 11)
	\bar{S}_0, S_1	0.00		0.00		0.00				
$t_{pw} (L)$	Pulse Width LOW \bar{E}_1, \bar{E}_2	2.00		2.00		2.00		ns	Figure 2	(Note 11)
$t_{pw} (H)$	Pulse Width HIGH MR	2.00		2.00		2.00		ns	Figure 3	(Note 11)

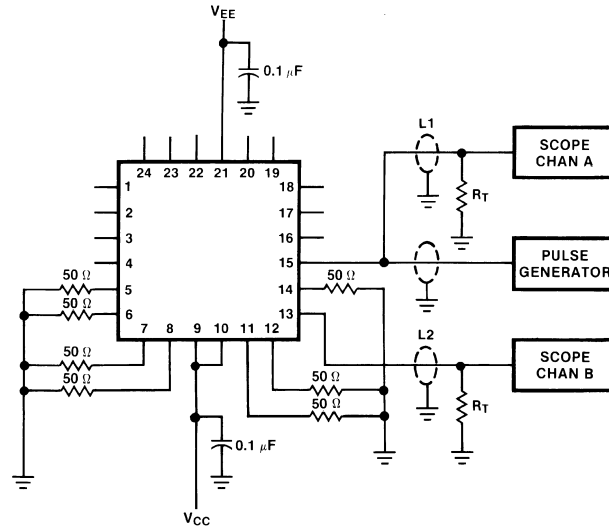
Note 8: F100K 300 Series cold temperature testing is performed by temperature soaking (to guarantee junction temperature equals $-55^\circ C$), then testing immediately without allowing for the junction temperature to stabilize due to heat dissipation after power-up. This provides "cold start" specs which can be considered a worst case condition at cold temperatures.

Note 9: Screen tested 100% on each device at $+25^\circ C$, Temperature only, Subgroup A9.

Note 10: Sample tested (Method 5005, Table 1) on each Mfg. lot at $+25^\circ$, Subgroup A9, and at $+125^\circ C$, and $-55^\circ C$ Temp., Subgroups A10 & A11.

Note 11: Not tested at $+25^\circ C$, $+125^\circ C$ and $-55^\circ C$ Temperature (design characterization data).

Test Circuit



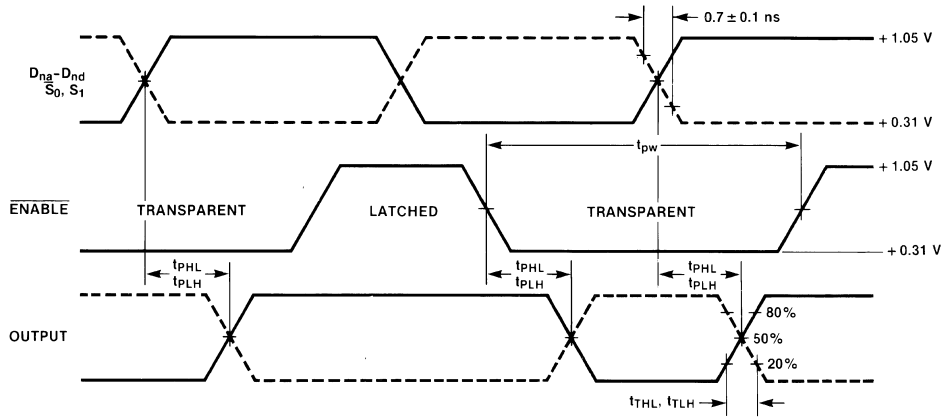
DS100294-6

Notes:

- $V_{CC}, V_{CCA} = +2V, V_{EE} = -2.5V$
- L1 and L2 = equal length 50Ω impedance lines
- $R_T = 50\Omega$ terminator internal to scope
- Decoupling 0.1 μF from GND to V_{CC} and V_{EE}
- All unused outputs are loaded with 50Ω to GND
- C_L = Fixture and stray capacitance ≤ 3 pF
- Pin numbers shown are for flatpak; for DIP see logic symbol

FIGURE 1. AC Test Circuit
(Using Quad Cerpak)

Switching Waveforms



DS100294-7

FIGURE 2. Enable Timing

Switching Waveforms (Continued)

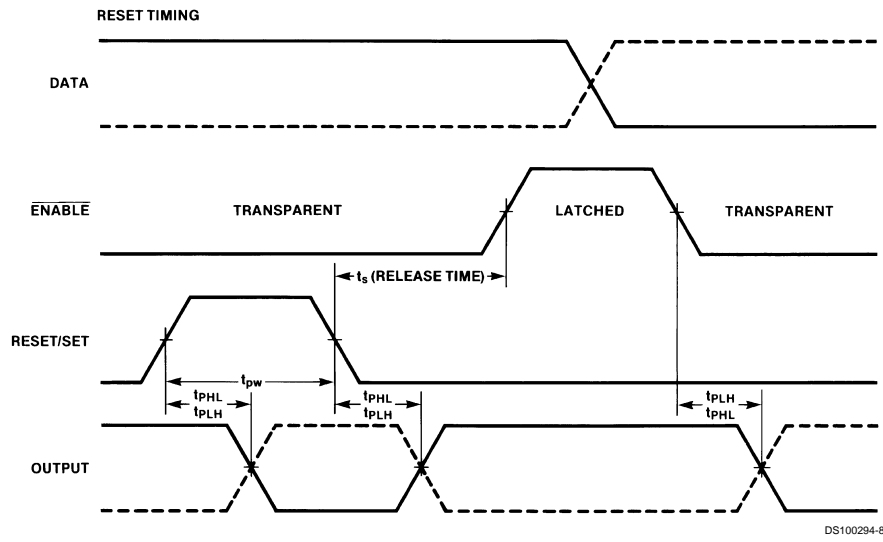
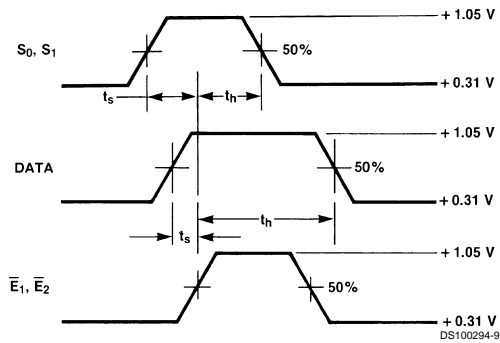


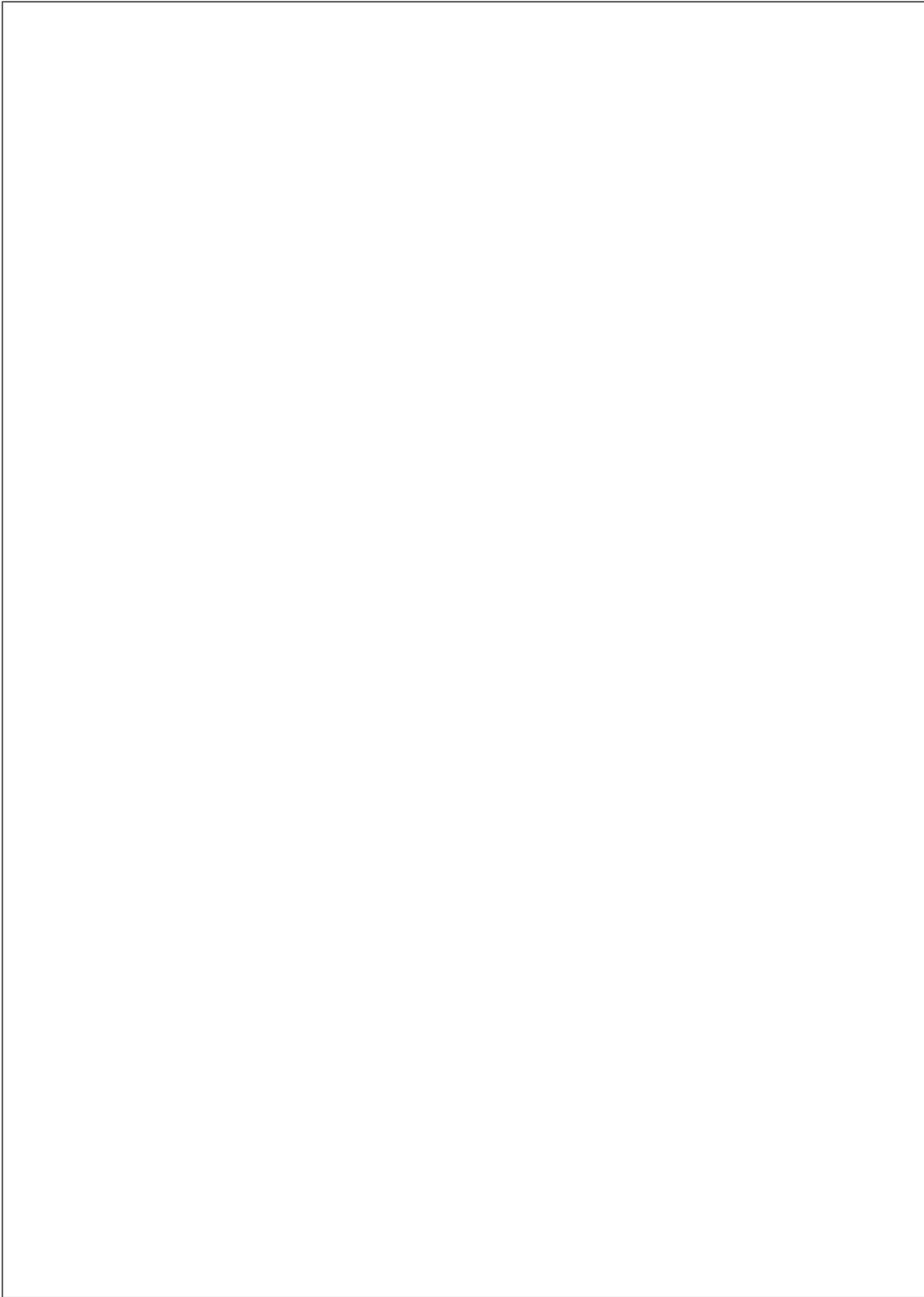
FIGURE 3. Reset Timing



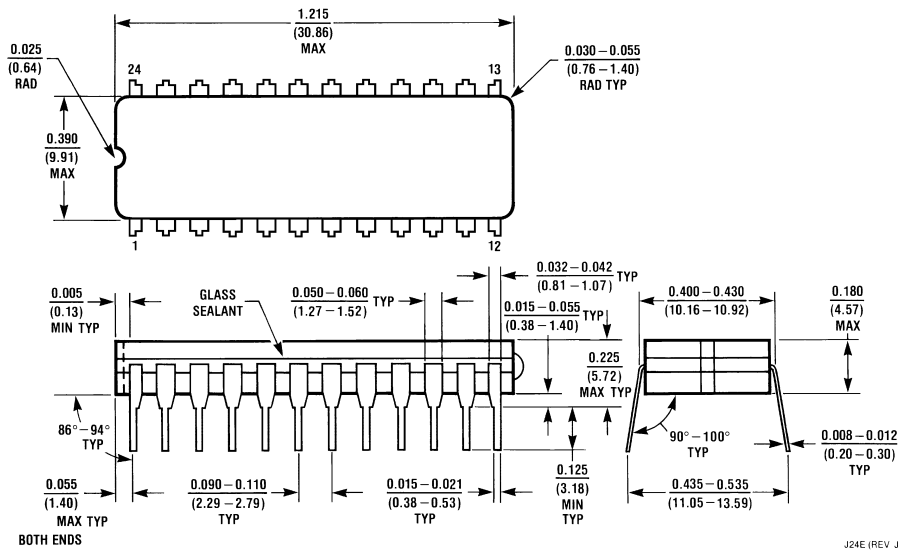
Notes:

t_s is the minimum time before the transition of the enable that information must be present at the data input.
 t_h is the minimum time after the transition of the enable that information must remain unchanged at the data input.

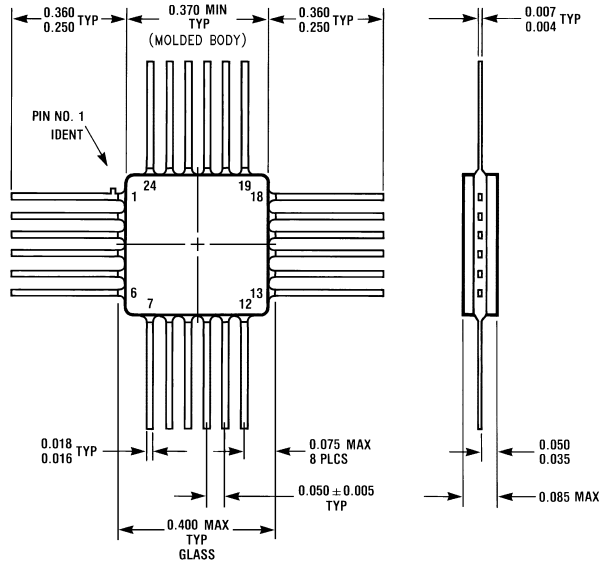
FIGURE 4. Data Setup and Hold Times



Physical Dimensions inches (millimeters) unless otherwise noted



24-Lead Ceramic Dual-In-Line Package (D)
NS Package Number J24E



24-Lead Ceramic Flatpak (F)
NS Package Number W24C

LIFE SUPPORT POLICY

NATIONAL'S PRODUCTS ARE NOT AUTHORIZED FOR USE AS CRITICAL COMPONENTS IN LIFE SUPPORT DEVICES OR SYSTEMS WITHOUT THE EXPRESS WRITTEN APPROVAL OF THE PRESIDENT OF NATIONAL SEMICONDUCTOR CORPORATION. As used herein:

1. Life support devices or systems are devices or systems which, (a) are intended for surgical implant into the body, or (b) support or sustain life, and whose failure to perform when properly used in accordance with instructions for use provided in the labeling, can be reasonably expected to result in a significant injury to the user.
2. A critical component in any component of a life support device or system whose failure to perform can be reasonably expected to cause the failure of the life support device or system, or to affect its safety or effectiveness.



National Semiconductor Corporation
Americas
Tel: 1-800-272-9959
Fax: 1-800-737-7018
Email: support@nsc.com

www.national.com

National Semiconductor Europe
Fax: +49 (0) 1 80-530 85 86
Email: europe.support@nsc.com
Deutsch Tel: +49 (0) 1 80-530 85 85
English Tel: +49 (0) 1 80-532 78 32
Français Tel: +49 (0) 1 80-532 93 58
Italiano Tel: +49 (0) 1 80-534 16 80

National Semiconductor Asia Pacific Customer Response Group
Tel: 65-2544466
Fax: 65-2504466
Email: sea.support@nsc.com

National Semiconductor Japan Ltd.
Tel: 81-3-5620-6175
Fax: 81-3-5620-6179