

## 100352 Low Power 8-Bit Buffer with Cut-Off Drivers

### General Description

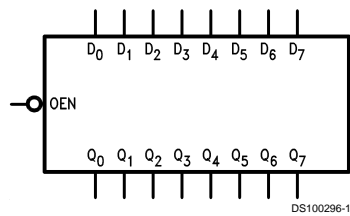
The 100352 contains an 8-bit buffer, individual inputs ( $D_n$ ), outputs ( $Q_n$ ), and a data output enable pin ( $\overline{OEN}$ ). A Q output follows its D input when the  $\overline{OEN}$  pin is LOW. A HIGH on  $\overline{OEN}$  holds the outputs in a cut-off state. The cut-off state is designed to be more negative than a normal ECL LOW level. This allows the output emitter-followers to turn off when the termination supply is  $-2.0V$ , presenting a high impedance to the data bus. This high impedance reduces termination power and prevents loss of low state noise margin when several loads share the bus.

The 100352 outputs are designed to drive a doubly terminated  $50\Omega$  transmission line ( $25\Omega$  load impedance). All inputs have  $50\text{ k}\Omega$  pull-down resistors.

### Features

- Cut-off drivers
- Drives  $25\Omega$  load
- Low power operation
- 2000V ESD protection
- Voltage compensated operating range =  $-4.2V$  to  $-5.7V$
- Available to industrial grade temperature range
- Available to MIL-STD-883

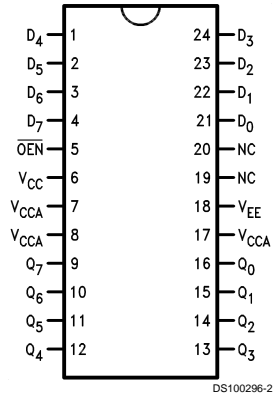
### Logic Symbol



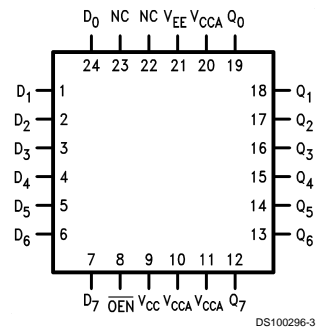
Pin Names	Description
$D_0$ – $D_7$	Data Inputs
$\overline{OEN}$	Output Enable Input
$Q_0$ – $Q_7$	Data Outputs
NC	No Connect

## Connection Diagrams

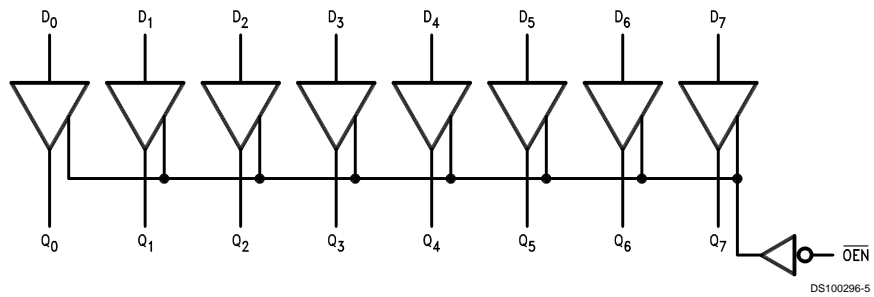
24-Pin DIP



24-Pin Quad Cerpak



## Logic Diagram



## Truth Table

Inputs		Outputs
Dn	$\overline{OEN}$	Qn
L	L	L
H	L	H
X	H	Cutoff

H = HIGH Voltage Level  
 L = LOW Voltage Level  
 Cutoff = Lower-than-LOW State  
 X = Don't Care

## Absolute Maximum Ratings (Note 1)

If Military/Aerospace specified devices are required, please contact the National Semiconductor Sales Office/Distributors for availability and specifications.

Above which the useful life may be impaired	
Storage Temperature ( $T_{STG}$ )	-65°C to +150°C
Maximum Junction Temperature ( $T_J$ )	
Ceramic	+175°C
$V_{EE}$ Pin Potential to Ground Pin	-7.0V to +0.5V
Input Voltage (DC)	$V_{EE}$ to +0.5V
Output Current (DC Output HIGH)	-100 mA

ESD (Note 2)

≥2000V

## Recommended Operating Conditions

Case Temperature ( $T_C$ )	
Military	-55°C to +125°C
Supply Voltage ( $V_{EE}$ )	-5.7V to -4.2V

**Note 1:** Absolute maximum ratings are those values beyond which the device may be damaged or have its useful life impaired. Functional operation under these conditions is not implied.

**Note 2:** ESD testing conforms to MIL-STD-883, Method 3015.

## Military Version DC Electrical Characteristics

$V_{EE} = -4.2V$  to  $-5.7V$ ,  $V_{CC} = V_{CCA} = GND$ ,  $T_C = -55^\circ C$  to  $+125^\circ C$

Symbol	Parameter	Min	Max	Units	$T_C$	Conditions	Notes	
$V_{OH}$	Output HIGH Voltage	-1025	-870	mV	0°C to +125°C	$V_{IN} = V_{IH(Max)}$ or $V_{IL(Min)}$	Loading with 25Ω to -2.0V	(Notes 3, 4, 5)
		-1085	-870	mV	-55°C			
$V_{OL}$	Output LOW Voltage	-1830	-1620	mV	0°C to +125°C			
		-1830	-1555	mV	-55°C			
$V_{OHC}$	Output HIGH Voltage	-1035		mV	0°C to +125°C	$V_{IN} = V_{IH(Min)}$ or $V_{IL(Max)}$	Loading with 25Ω to -2.0V	(Notes 3, 4, 5)
		-1085		mV	-55°C			
$V_{OLC}$	Output LOW Voltage		-1610	mV	0°C to +125°C			
			-1555	mV	-55°C			
$V_{OLZ}$	Cut-Off LOW Voltage		-1950	mV	0°C to +125°C	$V_{IN} = V_{IH(Min)}$ , or $V_{IL(Max)}$	OEN = HIGH	(Notes 3, 4, 5)
			-1850	mV	-55°C			
$V_{IH}$	Input HIGH Voltage	-1165	-870	mV	-55°C to +125°C	Guaranteed HIGH signal for All inputs		1, 2, 3, 4
$V_{IL}$	Input LOW Voltage	-1830	-1475	mV	-55°C to +125°C	Guaranteed LOW signal for All inputs		(Notes 3, 4, 5, 6)
$I_{IL}$	Input LOW Current	0.50		μA	-55°C to +125°C	$V_{EE} = 4.2V$ $V_{IN} = V_{IL(Min)}$		(Notes 3, 4, 5)
$I_{IH}$	Input HIGH Current		240	μA	0°C to +125°C	$V_{EE} = -5.7V$ $V_{IN} = V_{IH(Max)}$		(Notes 3, 4, 5)
			340	μA	-55°C			
$I_{EE}$	Power Supply Current	-145 -150	-55	mA	-55°C to +125°C	Inputs Open $V_{EE} = -4.2V$ to $-4.8V$ $V_{EE} = -4.2V$ to $-5.7V$		(Notes 3, 4, 5)

**Note 3:** F100K 300 Series cold temperature testing is performed by temperature soaking (to guarantee junction temperature equals -55°C), then testing immediately without allowing for the junction temperature to stabilize due to heat dissipation after power-up. This provides "cold start" specs which can be considered a worst case condition at cold temperatures.

**Note 4:** Screen tested 100% on each device at -55°C, +25°C, and +125°C, Subgroups 1, 2, 3, 7, and 8.

**Note 5:** Sample tested (Method 5005, Table I) on each manufactured lot at -55°C, +25°C, and +125°C, Subgroups A1, 2, 3, 7, and 8.

**Note 6:** Guaranteed by applying specified input condition and testing  $V_{OH}/V_{OL}$ .

## AC Electrical Characteristics

$V_{EE} = -4.2V$  to  $-5.7V$ ,  $V_{CC} = V_{CCA} = GND$

Symbol	Parameter	$T_C = -55^\circ C$		$T_C = +25^\circ C$		$T_C +125^\circ C$		Units	Conditions	Notes
		Min	Max	Min	Max	Min	Max			
$t_{PLH}$	Propagation Delay	0.30	2.60	0.50	2.40	0.50	2.70	ns	Figures 1, 2	(Notes 7, 8, 10, 11)
$t_{PHL}$	Dn to Output									
$t_{PZH}$	Propagation Delay	1.20	4.40	1.40	4.20	1.20	4.40	ns	Figures 1, 2	(Notes 7, 8, 9, 11)
$t_{PHZ}$	OEN to Output	0.70	3.00	0.70	2.80	0.70	3.20			

## AC Electrical Characteristics (Continued)

$V_{EE} = -4.2V$  to  $-5.7V$ ,  $V_{CC} = V_{CCA} = GND$

Symbol	Parameter	$T_C = -55^\circ C$		$T_C = +25^\circ C$		$T_C = +125^\circ C$		Units	Conditions	Notes
		Min	Max	Min	Max	Min	Max			
$t_{TLH}$	Transition Time	0.40	2.50	0.40	2.40	0.40	2.70	ns	Figures 1, 2	(Note 10)
$t_{THL}$	20% to 80%, 80% to 20%									

**Note 7:** F100K 300 Series cold temperature testing is performed by temperature soaking (to guarantee junction temperature equals  $-55^\circ C$ ), then testing immediately after power-up. This provides "cold start" specs which can be considered a worst case condition at cold temperatures.

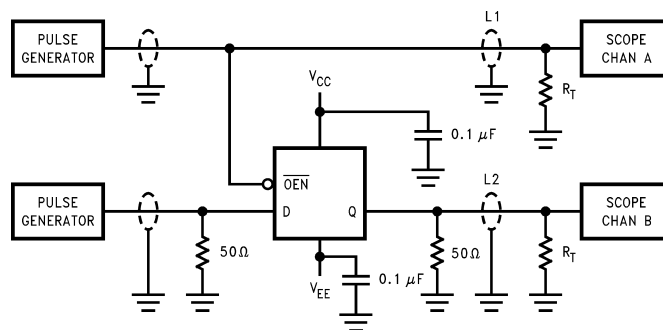
**Note 8:** Screen tested 100% on each device at  $+25^\circ C$  temperature only, Subgroup A9.

**Note 9:** Sample tested (Method 5005, Table I) on each manufactured lot at  $+25^\circ C$ , Subgroup A9, and at  $+125^\circ C$  and  $-55^\circ C$  temperatures, Subgroups A10 and A11.

**Note 10:** Not tested at  $+25^\circ C$ ,  $+125^\circ C$ , and  $-55^\circ C$  temperature (design characterization data).

**Note 11:** The propagation delay specified is for single output switching. Delays may vary up to 300 ps with multiple outputs switching.

## Test Circuitry



DS100296-6

### Notes:

$V_{CC}$ ,  $V_{CCA} = +2V$ ,  $V_{EE} = -2.5V$

L1 and L2 = equal length 50 ohm impedance lines

$R_T = 50\Omega$  terminator internal to scope

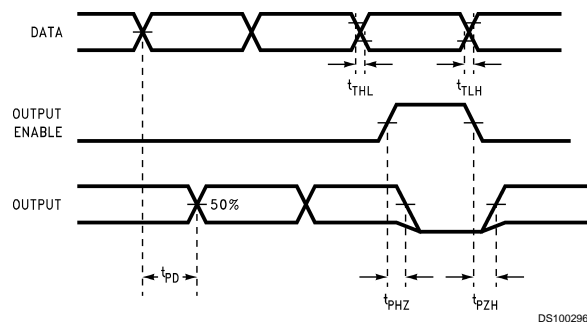
Decoupling 0.1  $\mu F$  from GND to  $V_{CC}$  and  $V_{EE}$

All unused outputs are loaded with 25 ohm to GND

$C_L$  = Fixture and stray capacitance  $\leq 3$  pF

FIGURE 1. AC Test Circuit

## Switching Waveforms



DS100296-7

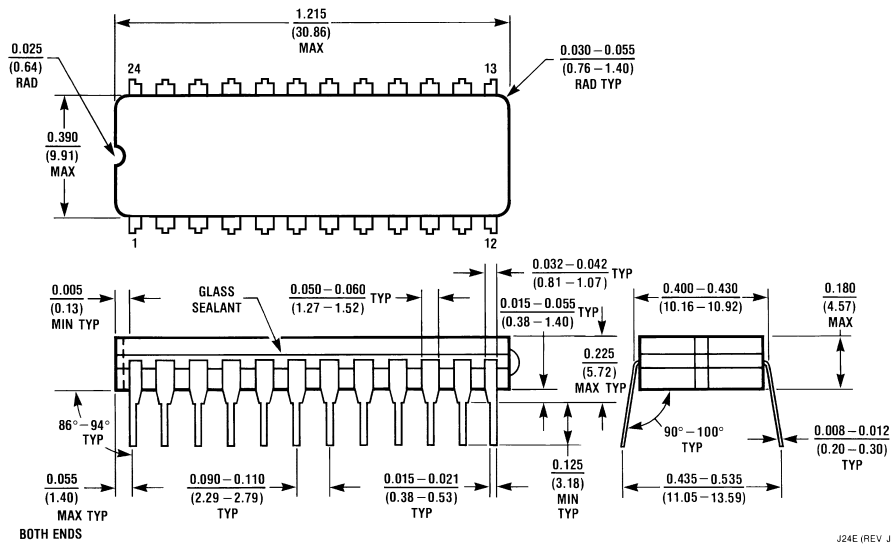
### Note:

The output AC measurement point for cut-off propagation delay testing = the 50% voltage point between active  $V_{OL}$  and  $V_{OH}$ .

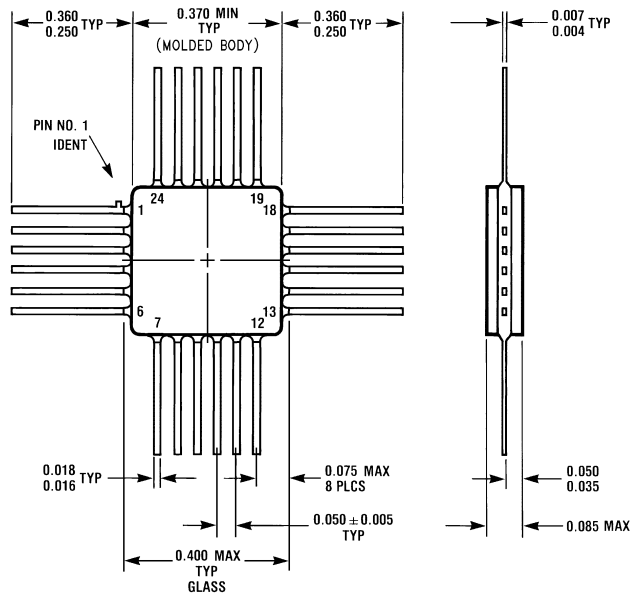
FIGURE 2. Propagation Delay, Cut-Off and Transition Times



**Physical Dimensions** inches (millimeters) unless otherwise noted



**24-Lead Ceramic Dual-In-Line Package (0.400" Wide) (D)**  
NS Package Number J24E



**24-Lead Quad Cerpak (F)**  
NS Package Number W24B

**LIFE SUPPORT POLICY**

NATIONAL'S PRODUCTS ARE NOT AUTHORIZED FOR USE AS CRITICAL COMPONENTS IN LIFE SUPPORT DEVICES OR SYSTEMS WITHOUT THE EXPRESS WRITTEN APPROVAL OF THE PRESIDENT OF NATIONAL SEMICONDUCTOR CORPORATION. As used herein:

1. Life support devices or systems are devices or systems which, (a) are intended for surgical implant into the body, or (b) support or sustain life, and whose failure to perform when properly used in accordance with instructions for use provided in the labeling, can be reasonably expected to result in a significant injury to the user.
2. A critical component in any component of a life support device or system whose failure to perform can be reasonably expected to cause the failure of the life support device or system, or to affect its safety or effectiveness.



**National Semiconductor Corporation**  
Americas  
Tel: 1-800-272-9959  
Fax: 1-800-737-7018  
Email: support@nsc.com

[www.national.com](http://www.national.com)

**National Semiconductor Europe**  
Fax: +49 (0) 1 80-530 85 86  
Email: europe.support@nsc.com  
Deutsch Tel: +49 (0) 1 80-530 85 85  
English Tel: +49 (0) 1 80-532 78 32  
Français Tel: +49 (0) 1 80-532 93 58  
Italiano Tel: +49 (0) 1 80-534 16 80

**National Semiconductor Asia Pacific Customer Response Group**  
Tel: 65-2544466  
Fax: 65-2504466  
Email: sea.support@nsc.com

**National Semiconductor Japan Ltd.**  
Tel: 81-3-5620-6175  
Fax: 81-3-5620-6179