

100331 Low Power Triple D Flip-Flop

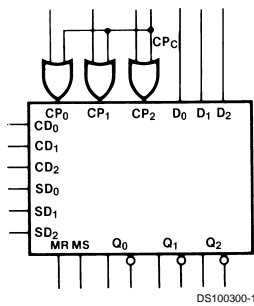
General Description

The 100331 contains three D-type, edge-triggered master/slave flip-flops with true and complement outputs, a Common Clock (CP_C), and Master Set (MS) and Master Reset (MR) inputs. Each flip-flop has individual Clock (CP_n), Direct Set (SD_n) and Direct Clear (CD_n) inputs. Data enters a master when both CP_n and CP_C are LOW and transfers to a slave when CP_n or CP_C (or both) go HIGH. The Master Set, Master Reset and individual CD_n and SD_n inputs override the Clock inputs. All inputs have 50 k Ω pull-down resistors.

Features

- 35% power reduction of the 100131
- 2000V ESD protection
- Pin/function compatible with 100131
- Voltage compensated operating range = -4.2V to -5.7V
- Available to industrial grade temperature range
- Available to Standard Microcircuit Drawing (SMD) 5962-9153601

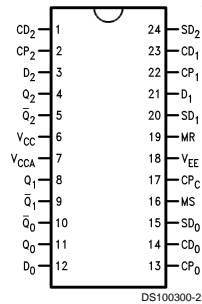
Logic Symbol



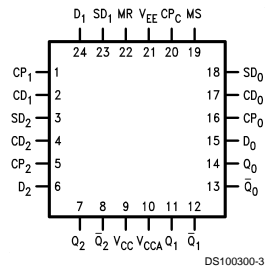
Pin Names	Description
CP_0 - CP_2	Individual Clock Inputs
CP_C	Common Clock Input
D_0 - D_2	Data Inputs
CD_0 - CD_2	Individual Direct Clear Inputs
SD_n	Individual Direct Set Inputs
MR	Master Reset Input
MS	Master Set Input
Q_0 - Q_2	Data Outputs
\bar{Q}_0 - \bar{Q}_2	Complementary Data Outputs

Connection Diagrams

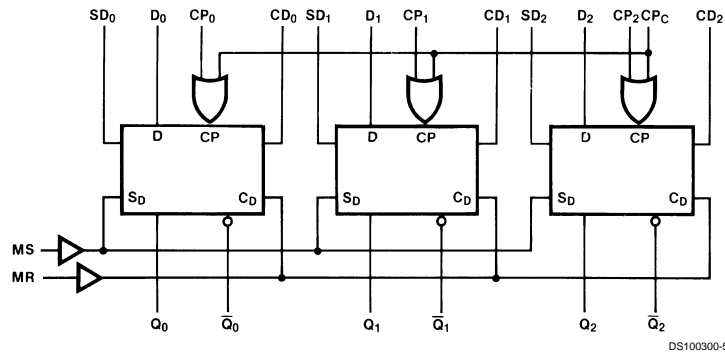
24-Pin DIP



24-Pin Quad Cerpak



Logic Diagram



Truth Tables

Synchronous Operation

(Each Flip-Flop)

Inputs					Outputs
D_n	CP_n	CP_C	MS SD_n	MR CD_n	$Q_n(t + 1)$
L	↗	L	L	L	L
H	↗	L	L	L	H
L	L	↗	L	L	L
H	L	↗	L	L	H
X	L	L	L	L	$Q_n(t)$
X	H	X	L	L	$Q_n(t)$
X	X	H	L	L	$Q_n(t)$

H = HIGH Voltage Level
 L = LOW Voltage Level
 X = Don't Care
 U = Undefined
 t = Time before CP Positive Transition
 t + 1 = Time after CP Positive Transition
 ↗ = LOW to HIGH Transition

Asynchronous Operation

(Each Flip-Flop)

Inputs					Outputs
D_n	CP_n	CP_C	MS SD_n	MR CD_n	$Q_n(t + 1)$
X	X	X	H	L	H
X	X	X	L	H	L
X	X	X	H	H	U

Absolute Maximum Ratings (Note 1)

If Military/Aerospace specified devices are required, please contact the National Semiconductor Sales Office/Distributors for availability and specifications.

Above which the useful life may be impaired	
Storage Temperature (T_{STG})	-65°C to +150°C
Maximum Junction Temperature (T_J)	
Ceramic	+175°C
Pin Potential to	
Ground Pin (V_{EE})	-7.0V to +0.5V

Input Voltage (DC)	V_{EE} to +0.5V
Output Current	
(DC Output HIGH)	-50 mA
ESD (Note 2)	≤ 2000V

Recommended Operating Conditions

Case Temperature (T_C)	
Military	-55°C to +125°C
Supply Voltage (V_{EE})	-5.7V to -4.2V

Note 1: Absolute maximum ratings are those values beyond which the device may be damaged or have its useful life impaired. Functional operation under these conditions is not implied.

Note 2: ESD testing conforms to MIL-STD-883, Method 3015.

Military Version

DC Electrical Characteristics

$V_{EE} = -4.2V$ to $-5.7V$, $V_{CC} = V_{CCA} = GND$, $T_C = -55^\circ C$ to $+125^\circ C$

Symbol	Parameter	Min	Max	Units	T_C	Conditions	Notes	
V_{OH}	Output HIGH Voltage	-1025	-870	mV	0°C to +125°C	$V_{IN} = V_{IH}$ (Max) or V_{IL} (Min)	Loading with 50Ω to -2.0V	(Notes 3, 4, 5)
		-1085	-870	mV	-55°C			
V_{OL}	Output LOW Voltage	-1830	-1620	mV	0°C to +125°C			
		-1830	-1555	mV	-55°C			
V_{OHC}	Output HIGH Voltage	-1035		mV	0°C to +125°C	$V_{IN} = V_{IH}$ (Min) or V_{IL} (Max)	Loading with 50Ω to -2.0V	(Notes 3, 4, 5)
		-1085		mV	-55°C			
V_{OLC}	Output LOW Voltage		-1610	mV	0°C to +125°C			
			-1555	mV	-55°C			
V_{IH}	Input HIGH Voltage	-1165	-870	mV	-55°C to +125°C	Guaranteed HIGH Signal for all Inputs	(Notes 3, 4, 5, 6)	
V_{IL}	Input LOW Voltage	-1830	-1475	mV	-55°C to +125°C	Guaranteed LOW Signal for all Inputs	(Notes 3, 4, 5, 6)	
I_{IL}	Input LOW Current	0.50		μA	-55°C to +125°C	$V_{EE} = -4.2V$ $V_{IN} = V_{IL}$ (Min)	(Notes 3, 4, 5)	
I_{IH}	Input HIGH Current		240	μA	0°C to +125°C	$V_{EE} = -5.7V$ $V_{IN} = V_{IH}$ (Max)	(Notes 3, 4, 5)	
			340	μA	-55°C			
I_{EE}	Power Supply Current	-130	-50	mA	-55°C to +125°C	Inputs Open	(Notes 3, 4, 5)	

Note 3: F100K 300 Series cold temperature testing is performed by temperature soaking (to guarantee junction temperature equals -55°C), then testing immediately without allowing for the junction temperature to stabilize due to heat dissipation after power-up. This provides "cold start" specs which can be considered a worst case condition at cold temperatures.

Note 4: Screen tested 100% on each device at -55°C, +25°C, and +125°C, Subgroups, 1, 2, 3, 7 and 8.

Note 5: Sampled tested (Method 5005, Table I) on each manufactured lot at -55°C, +25°C, and +125°C, Subgroups A1, 2, 3, 7 and 8.

Note 6: Guaranteed by applying specified input condition and testing V_{OH}/V_{OL} .

AC Electrical Characteristics

$V_{EE} = -4.2V$ to $-5.7V$, $V_{CC} = V_{CCA} = GND$

Symbol	Parameter	$T_C = -55^\circ C$		$T_C = +25^\circ C$		$T_C = +125^\circ C$		Units	Conditions	Notes
		Min	Max	Min	Max	Min	Max			
f_{max}	Toggle Frequency	400		400		400		MHz	Figures 2, 3	(Note 10)
t_{PLH} t_{PHL}	Propagation Delay CP _C to Output	0.50	2.20	0.60	2.00	0.50	2.40	ns	Figures 1, 3	(Notes 7, 8, 9)
t_{PLH} t_{PHL}	Propagation Delay CP _n to Output	0.50	2.20	0.60	2.00	0.50	2.40	ns		
t_{PLH} t_{PHL}	Propagation Delay CD _n , SD _n to Output	0.50	2.20	0.60	2.00	0.50	2.40	ns	CP _n , CP _C = L Figures 1, 4	
t_{PLH} t_{PHL}		0.50	2.40	0.60	2.10	0.50	2.50			
t_{PLH} t_{PHL}	Propagation Delay MS, MR to Output	0.70	2.70	0.80	2.60	0.80	2.90	ns	CP _n , CP _C = L	
t_{PLH} t_{PHL}		0.70	2.90	0.80	2.80	0.80	3.10		CP _n , CP _C = H	
t_{TLH} t_{THL}	Transition Time 20% to 80%, 80% to 20%	0.20	1.40	0.20	1.40	0.20	1.40	ns	Figures 1, 3, 4	
t_s	Setup Time								Figure 5	(Note 10)
	D _n	1.00		0.80		0.90		ns	Figure 4	
	CD _n , SD _n (Release Time) MS, MR (Release Time)	1.50		1.30		1.60				
t_h	Hold Time D _n	1.50		1.30		1.60		ns	Figure 5	
$t_{pw(H)}$	Pulse Width HIGH CP _n , CP _C , CD _n , SD _n , MR, MS	2.00		2.00		2.00		ns	Figures 3, 4	

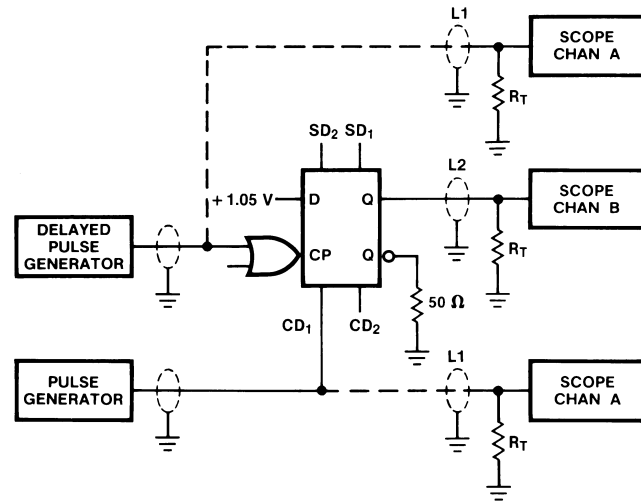
Note 7: F100K 300 Series cold temperature testing is performed by temperature soaking (to guarantee junction temperature equals $-55^\circ C$), then testing immediately without allowing for the junction temperature to stabilize due to heat dissipation after power-up. This provides "cold start" specs which can be considered a worst case condition at cold temperatures.

Note 8: Screen tested 100% on each device at $+25^\circ C$. Temperature only, Subgroup A9.

Note 9: Sample tested (Method 5005, Table I) on each Mfg. lot at $+25^\circ C$, Subgroup A9, and at $+125^\circ C$, and $-55^\circ C$ Temp., Subgroups A10 and A11.

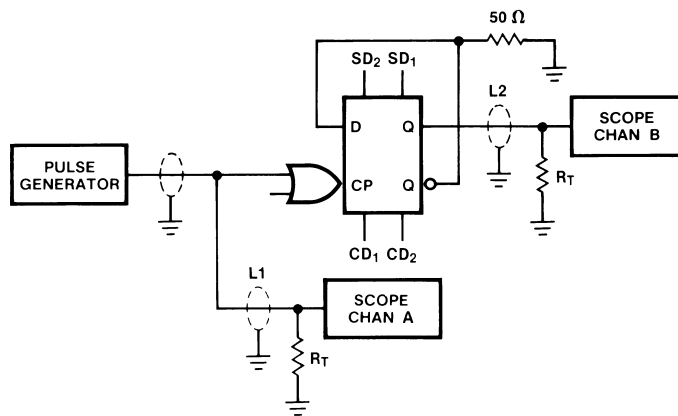
Note 10: Not tested at $+25^\circ C$, $+125^\circ C$ and $-55^\circ C$ Temperature (design characterization data).

Test Circuits



DS100300-6

FIGURE 1. AC Test Circuit



DS100300-7

Notes:

$V_{CC}, V_{CCA} = +2V, V_{EE} = -2.5V$

L1 and L2 = Equal length 50Ω impedance lines

$R_T = 50\Omega$ terminator internal to scope

Decoupling 0.1 μF from GND to V_{CC} and V_{EE}

All unused outputs are loaded with 50Ω to GND

C_L = Fixture and stray capacitance ≤ 3 pF

FIGURE 2. Toggle Frequency Test Circuit

Switching Waveforms

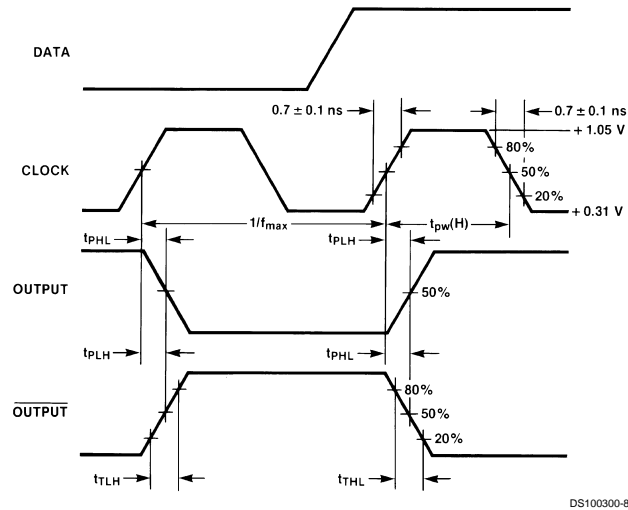


FIGURE 3. Propagation Delay (Clock) and Transition Times

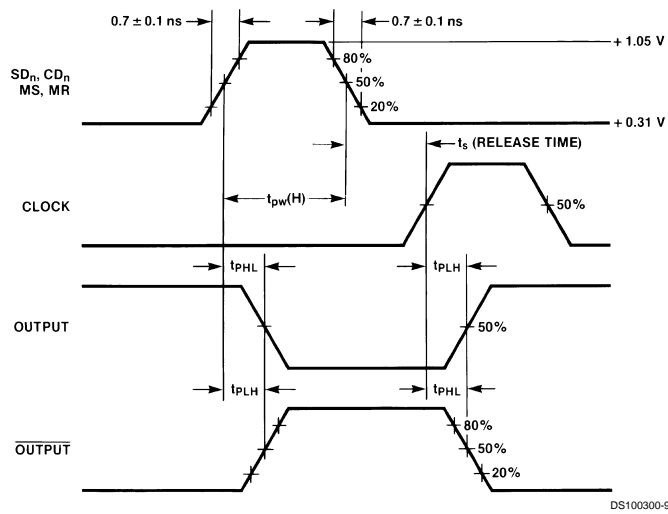


FIGURE 4. Propagation Delay (Resets)

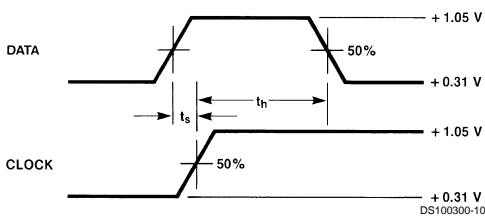
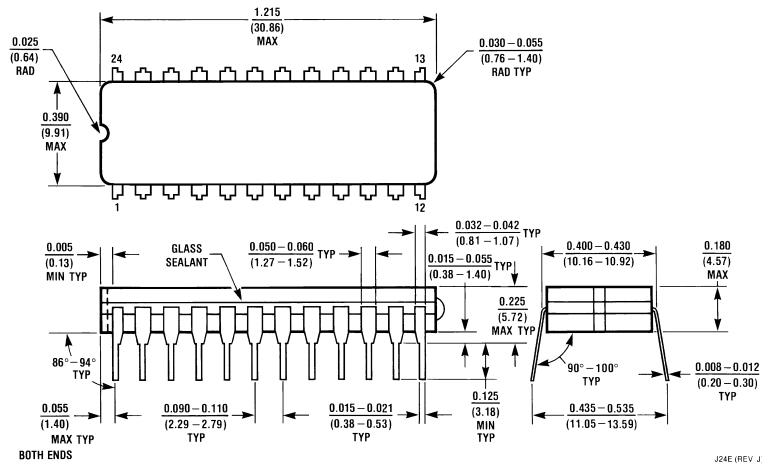


FIGURE 5. Data Setup and Hold Time

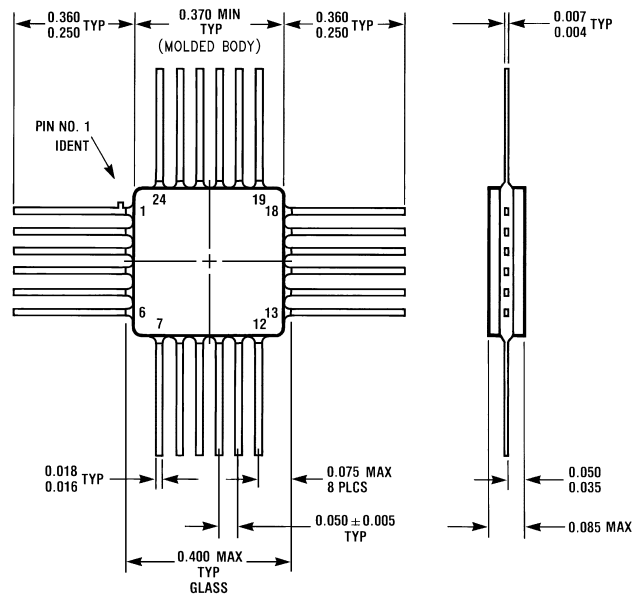
Note 11: t_s is the minimum time before the transition of the clock that information must be present at the data input.

Note 12: t_h is the minimum time after the transition of the clock that information must remain unchanged at the data input.

Physical Dimensions inches (millimeters) unless otherwise noted



**24-Lead Ceramic Dual-In-Line Package (0.400" Wide) (D)
NS Package Number J24E**



**24-Lead Quad Cerpak (F)
NS Package Number W24B**

LIFE SUPPORT POLICY

NATIONAL'S PRODUCTS ARE NOT AUTHORIZED FOR USE AS CRITICAL COMPONENTS IN LIFE SUPPORT DEVICES OR SYSTEMS WITHOUT THE EXPRESS WRITTEN APPROVAL OF THE PRESIDENT OF NATIONAL SEMICONDUCTOR CORPORATION. As used herein:

1. Life support devices or systems are devices or systems which, (a) are intended for surgical implant into the body, or (b) support or sustain life, and whose failure to perform when properly used in accordance with instructions for use provided in the labeling, can be reasonably expected to result in a significant injury to the user.
2. A critical component in any component of a life support device or system whose failure to perform can be reasonably expected to cause the failure of the life support device or system, or to affect its safety or effectiveness.



National Semiconductor Corporation
Americas
Tel: 1-800-272-9959
Fax: 1-800-737-7018
Email: support@nsc.com

www.national.com

National Semiconductor Europe
Fax: +49 (0) 1 80-530 85 86
Email: europe.support@nsc.com
Deutsch Tel: +49 (0) 1 80-530 85 85
English Tel: +49 (0) 1 80-532 78 32
Français Tel: +49 (0) 1 80-532 93 58
Italiano Tel: +49 (0) 1 80-534 16 80

National Semiconductor Asia Pacific Customer Response Group
Tel: 65-2544466
Fax: 65-2504466
Email: sea.support@nsc.com

National Semiconductor Japan Ltd.
Tel: 81-3-5620-6175
Fax: 81-3-5620-6179