

INTRODUCTION

This device extends Teledyne e2v's family of scientific CCD sensors. The CCD231 has been designed to provide a large image area for demanding astronomical and scientific imaging applications. Back-illuminated spectral response combined with very low readout noise give exceptional sensitivity.

DESCRIPTION

The sensor has an image area having 6144 x 6160 pixels, split read-out registers at both top and bottom with charge detection amplifiers at both ends. The pixel size is 15 μm square. The image area has four separately connected sections to allow full-frame, frame transfer, split full-frame or split frame-transfer modes. Depending on the mode, the read-out can be through 1, 2 or 4 of the output circuits. A gate-controlled drain is also provided adjacent to each of the registers to allow fast dumping of unwanted data.

The output amplifier is designed to give very low noise at read-out rates of up to 3 MHz. The low output impedance simplifies the interface with external electronics and the optional dummy outputs are provided to facilitate rejection of common parasitic feed-through.

The package provides a compact footprint with guaranteed flatness at cryogenic temperatures. Connections are made at the top and bottom of the device via two flexi connectors that also provide a thermal break. The sides may be close butted if needed.

Specifications are tested and guaranteed at 173 K (-100°C).

The CCD231 devices described here are non-inverted (non-MPP) types.

VARIANTS

Standard silicon and deep depletion silicon device types can be supplied with a range of AR coatings. Graded coatings are available as custom variants.

Devices with other formats (e.g. 2048 x 2048, 4096 x 4096 pixels) are also available in the same family.

Alternate types (CCD230) can also be available (to custom order) with an alternative amplifier having a higher charge handling capacity and higher speed (up to 5 MHz), but with slightly increased noise. These devices are generally inverted-mode types.

Consult Teledyne e2v technologies for further information on any of the above options.

Part References

CCD231-C6-g-xxx

g = cosmetic grade xxx = device-specific part number

See last page of data sheet for list of types.



SUMMARY PERFORMANCE (Typical)

Number of pixels	6144(H) x 6160(V)
Pixel size	15 μm square
Image area	92.2 mm x 92.4 mm
Outputs	4
Amplifier sensitivity	7.5 $\mu\text{V}/\text{e}^-$
Readout noise (rms)	5 e^- at 1 MHz 2 e^- at 50 kHz
Dark signal	3 $\text{e}^-/\text{pixel}/\text{hour}$ (at -100°C)
Maximum pixel data rate	3 MHz
Charge storage (pixel full well)	350,000 e^-
Flatness	$\sim 15 \mu\text{m}$ (peak to valley)
Package size	98.5 x 93.7 mm

(A) Standard SiC Buttable Package

Package format	Silicon carbide with two flexi connectors
Focal plane height, above base	20.0 mm
Height tolerance	$\pm 15 \mu\text{m}$
Connectors	Two 37-way micro-D

(B) Base Contact SiC Buttable Package – under development

Package format	Silicon carbide with two flexi connectors
Focal plane height, above base	18.0 mm (TBC)
Height tolerance	TBC
Connectors	Two 37-way micro-D

Quoted performance parameters given here are "typical" values. Specification limits are shown later.

Whilst Teledyne e2v has taken care to ensure the accuracy of the information contained herein it accepts no responsibility for the consequences of any use thereof and also reserves the right to change the specification of goods without notice. Teledyne e2v accepts no liability beyond that set out in its standard conditions of sale in respect of infringement of third party patents arising from the use of tubes or other devices in accordance with information contained herein.

Teledyne e2v (UK) Limited, Waterhouse Lane, Chelmsford, Essex CM1 2QU United Kingdom Teledyne e2v (UK) Ltd. is a Teledyne Technologies company.

Telephone: +44 (0)1245 493493 Facsimile: +44 (0)1245 492492

Contact Teledyne e2v by e-mail: Enquiries@Teledyne-e2v.com or visit www.teledyne-e2v.com for global sales and operations centres.

PERFORMANCE SPECIFICATIONS (At 173K unless stated)

	Typical	Grade 0 and 1		Grade 2		Units	Note
		Min	Max	Min	Max		
Peak charge storage (image)	350,000	275,000	-	250,000	-	e ⁻ /pixel	2(a)
Peak charge storage (register/SW):							
OG low (mode 1)	300,000	-	-	-	-	e ⁻ /pixel	2(b)
OG high (mode 2)	350,000	-	-	-	-	e ⁻ /pixel	
Output node capacity:							
OG low (mode 1)	250,000	-	-	-	-	e ⁻	2(c)
OG high (mode 2)	600,000	-	-	-	-	e ⁻	
Output amplifier responsivity:							
mode 1	7.5	5.0	-	4.5	-	μV/e ⁻	3
mode 2	2.5	-	-	-	-	μV/e ⁻	
Readout noise	2	-	3	-	5	e ⁻ rms	4
Readout frequency	500	-	3000	-	3000	kHz	5
Dark signal:							
at 173 K (measured)	3	-	100	-	364	e ⁻ /pixel/hr	6
equivalent at 153 K (calculated)	0.02	-	0.55	-	2.0	e ⁻ /pixel/hr	
Charge transfer efficiency:							
parallel	99.9995	99.9990	100	99.9985	100	%	7
serial	99.9995	99.9990	100	99.9985	100	%	
Flatness peak-to-valley	15	-	40	-	50	μm	8
Focal plane package height	20	19.985	20.015	19.980	20.020	mm	8,9

NOTES

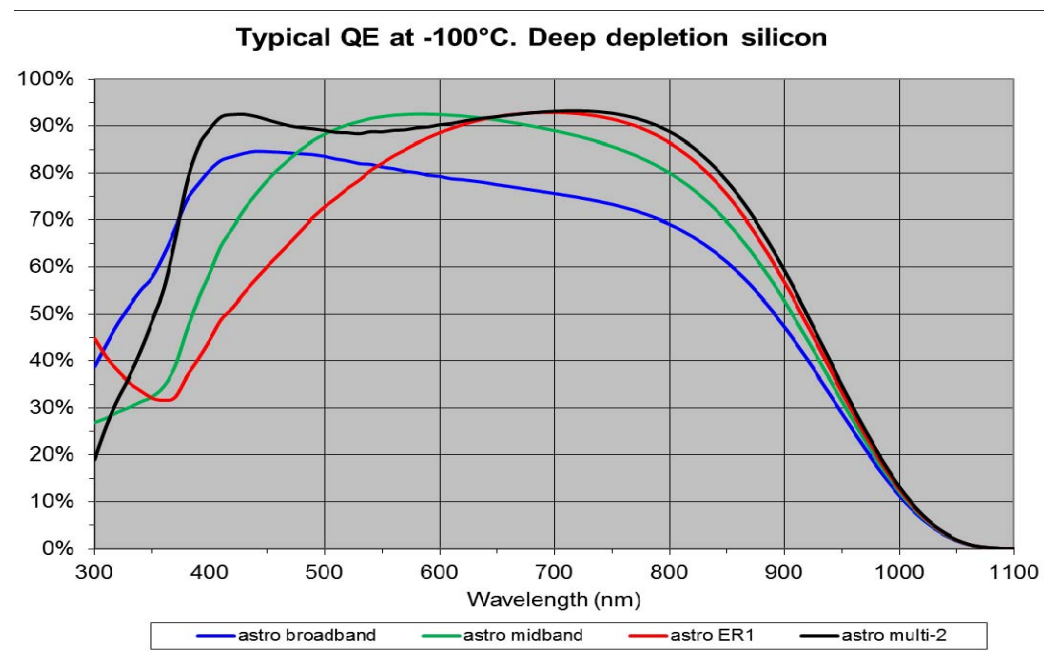
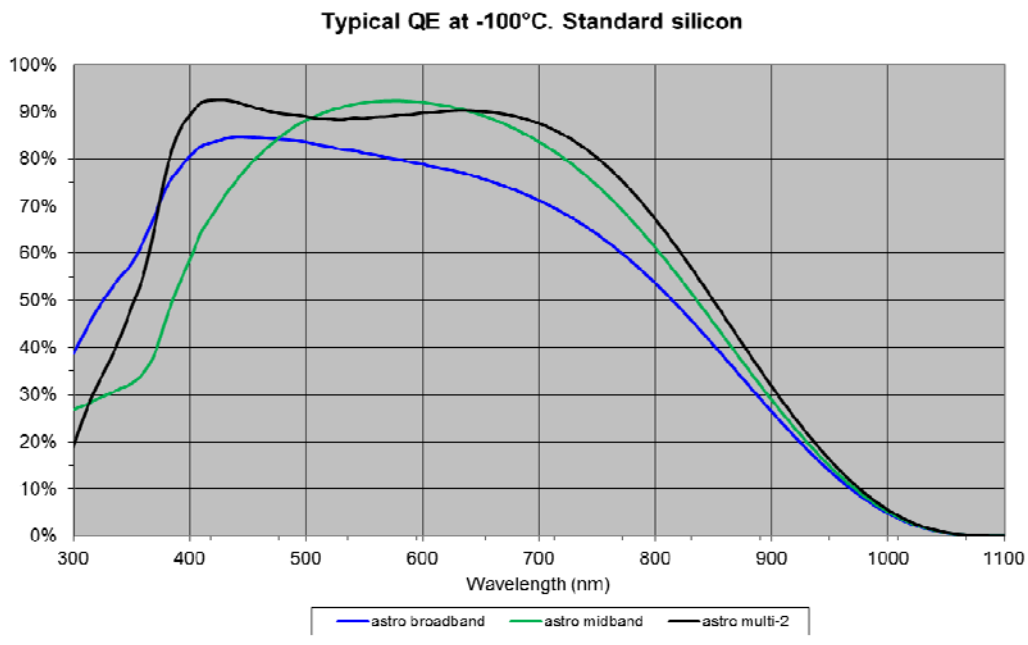
- Device performance will be within the limits specified by “max” and “min” when operated at the recommended voltages supplied with the test data and when measured at a register clock frequency in the range 0.1 – 1.0 MHz. Most tests are performed at a nominal 500 kHz pixel rate. The noise as specified is separately measured in accordance with note 4.
- (a) Signal level at which resolution begins to degrade. Device is non-inverted (NIMO/non-MPP), for maximum full well.
(b) The summing well capacity limits the charge in the register, and its value varies with mode as shown.
(c) The signal handled by the output node (for linear operation) varies with mode as shown. In mode 1 this is less than the typical pixel capacity and limits the dynamic range.
- Under normal operation (mode 1), SW is operated as a summing well or clocked as RØ3. OG is biased at a low DC level. Note: in this mode (with lowest read noise) the output cannot handle the full available pixel charge capacity.
Alternatively (mode 2), SW may be operated as an output gate (and not therefore available for summing), biased at a low DC level, with OG raised to a high voltage (see note 11 later). This gives more charge-handling capacity (e.g. for higher level pixel binning). Charge transfer to the output now occurs as RØ2 goes low. In mode-2, the output noise will also increase by a factor of three.
- Measured with correlated double sampling at 50 kHz nominal (mode 1). Noise (as with all factory test images) is measured with differential readout, i.e. using the dummy output. The noise value reported is a single ended equivalent value with no dummy, by dividing by the $\sqrt{2}$ factor that arises from the differential subtraction. This way test system induced noise contribution is reduced.
- Maximum frequency depends on the external load capacitance to be driven and the level of output settling required. Simulations show a settled waveform at 2 MHz with a 25pF load, indicating that 3 MHz operation could be achievable with lower external loads. The register will transfer charge at higher frequencies, but performance cannot be guaranteed.
- Dark signal is typically measured at a device temperature of 173 K. It is a strong function of temperature and the typical average (background) dark signal at any temperature T (Kelvin) between 150 K and 300 K is given by:
$$Q_d/Q_{do} = 122T^3 e^{-6400/T}$$
where Q_{do} is the dark current at 293 K. Typically Q_{do} is taken to have a value of 1 nA/cm², or ~ 14000 e⁻/pixel/s.
Note that this is typical value is based on a theoretical model and some variation may be seen between devices. Dark current is lowest with the substrate voltage at +9 V, and somewhat higher with substrate at 0 V. However, V_{ss}=0V is recommended; see note 14 later. At cryogenic temperatures the dark current impact of low V_{ss} is minor. Dark current can be reduced in operation by flushing the device whilst cooling and by settling V_{SS} to +9V for a period before exposure. Longer periods of flushing will result in lower dark signal. Teledyne e2v do not optimise for ultimate dark signal performance during factory testing and reported values may be higher than the 3 e⁻/pixel/hr typical indicated at 173 K.
- Measured with a ⁵⁵Fe X-ray source. The CTE value is quoted for the complete clock cycle (i.e. not per phase).
- Mechanical parameters are measured at room temperature.
- The package height measurement only applies to the standard SiC buttable package (package option A).

SPECTRAL RESPONSE

The table below gives guaranteed minimum values of the spectral response for several variants. Photo response non-uniformity (PRNU) is also shown. See also the typical spectral response figures below.

	Standard silicon Astro Broadband	Standard silicon Astro Midband	Standard silicon Astro Multi-2	Deep depletion silicon Astro Broadband	Deep depletion silicon Astro Midband	Deep depletion silicon Astro ER1 response	Deep depletion silicon Astro Multi-2	Maximum Pixel Response Non- Uniformity PRNU (1 σ) (%)
Wavelength (nm)	Minimum QE (%)	Minimum QE (%)	Minimum QE (%)	Minimum QE (%)	Minimum QE (%)	Minimum QE (%)	Minimum QE (%)	
350	40	20	30	40	20	20	30	-
400	70	50	75	70	50	35	75	3
500	80	80	75	75	80	65	75	-
650	75	80	80	70	80	80	80	3
900	25	25	25	40	40	45	50	5

See also the figures below. Consult Teledyne e2v technologies for availability of spectral response variants. Devices with alternate spectral responses may be available to special order.



SPECTRAL RESPONSE NOTES

- a) The above specifications are for grade 0 and 1 devices. Grade 2 device specifications are 5% absolute lower for guaranteed QE minimum values and 1% absolute higher for guaranteed PRNU maximum values.
- b) Standard silicon has a nominal active thickness of 16µm. DD is Deep Depletion silicon with a higher resistivity and a nominal active thickness of 40µm.
- c) The availability of coatings varies depending on type; check with factory.
- d) Devices with alternative or custom spectral response may be available by special request. Consult Teledyne e2v.

COSMETIC SPECIFICATIONS

Maximum allowed defect levels are indicated below.

Grade	Guaranteed Specifications			Typical Values		
	0	1	2	0	1	2
Column defects - black or white	10	20	30	2	4	6
White spots	1000	2000	3000	<500	<1000	<1500
Total (black & white) spots	2000	4000	6000	<1000	<2000	<3000
Traps > 200e-	20	30	40	<10	<20	<30

Grades 0 and 1 are the defaults for science use.

Grade 2 may have limited availability and will only be offered on a case by case basis if test results are already measured.

Grade 5 devices may be available for set-up purposes. These are fully functional but with an image quality below that of grade 2, and may not meet all other specifications. Not all parameters may be tested.

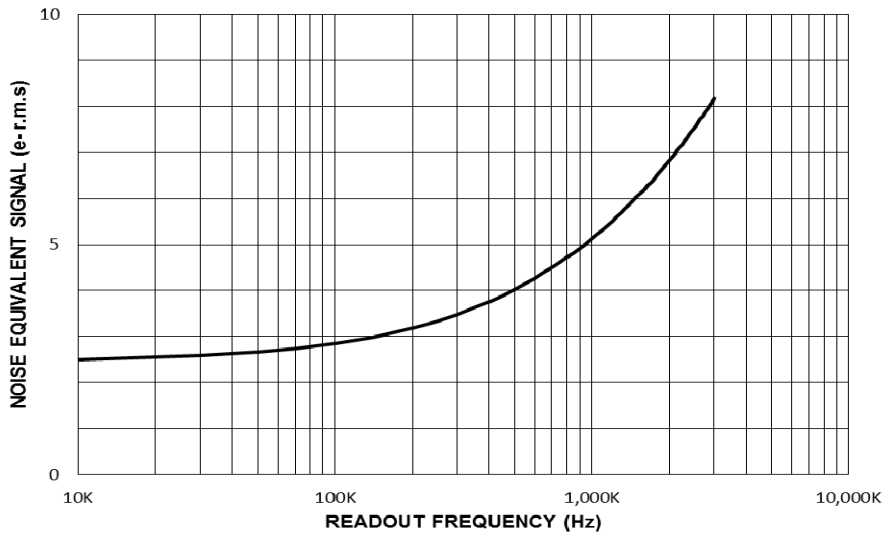
Grade 6 is a mechanical model. They are not electrically functioning but do have representative mechanical parameters.

DEFINITIONS

White spots	A defect is counted as a white spot if the dark generation rate is $\geq 5 \text{ e}^-/\text{pixel/s}$ at 173 K. (which is also equivalent to $\geq 100 \text{ e}^-/\text{hour}$ at 153 K). The temperature dependence is the same as for the mean dark signal; see note 6 above.
Black spots	A black spot defect is a pixel with a photo-response less than 50% of the local mean.
Column defects	A column is counted as a defect if it contains at least 100 white or dark single pixel defects.
Traps	A trap causes charge to be temporarily held in a pixel and released in the following pixels during readout. With the sensor uniformly illuminated to a signal level of approximately 1000e^- , a column is counted as having a trap if the quantity of trapped charge released in to the overscan pixels is greater than 200 e^- .
Defect exclusion zone	Defect measurements are excluded from the outer two rows and columns of the sensor.

AMPLIFIER READ NOISE

The variation of typical read noise with operating frequency is shown below. This is measured using correlated double sampling with a pre-sampling bandwidth equal to twice the pixel rate in mode 1, temperature range 150 – 230 K.



DEFINITIONS

Back-Thinning

A back-thinned CCD is fabricated on the front surface of the silicon and is subsequently processed for illumination from the reverse side. This avoids loss of transmission in the electrode layer (particularly significant at shorter wavelengths or with low energy X-rays). This process requires the silicon to be reduced to a thin layer by a combination of chemical and mechanical means. The surface is “passivated” and an anti-reflection coating may be added.

AR Coating

Anti-reflection coatings are normally applied to the back illuminated CCD to further improve the quantum efficiency. Standard coatings optimise the response in the visible, ultra-violet or infrared regions. For X-ray detection an uncoated device may be preferable.

Readout Noise

Readout noise is the random noise from the CCD output stage in the absence of signal. This noise introduces a random fluctuation in the output voltage that is superimposed on the detected signal.

The method of measurement involves reverse-clocking the register and determining the standard deviation of the output fluctuations, and then converting the result to an equivalent number of electrons using the known amplifier responsivity.

Dummy Output

Each output has an associated “dummy” circuit on-chip, which is of identical design to the “real” circuit but receives no signal charge. The dummy output should have the same levels of clock feed-through, and can thus be used to suppress the similar component in the “real” signal output by means of a differential pre-amplifier. The penalty is that the noise is increased by a factor of $\sqrt{2}$. If not required the dummy outputs may be powered down.

Dark Signal

This is the output signal of the device with zero illumination. This typically consists of thermally generated electrons within the semiconductor material, which are accumulated during signal integration. Dark signal is a strong function of temperature as described in note 6.

Correlated Double Sampling

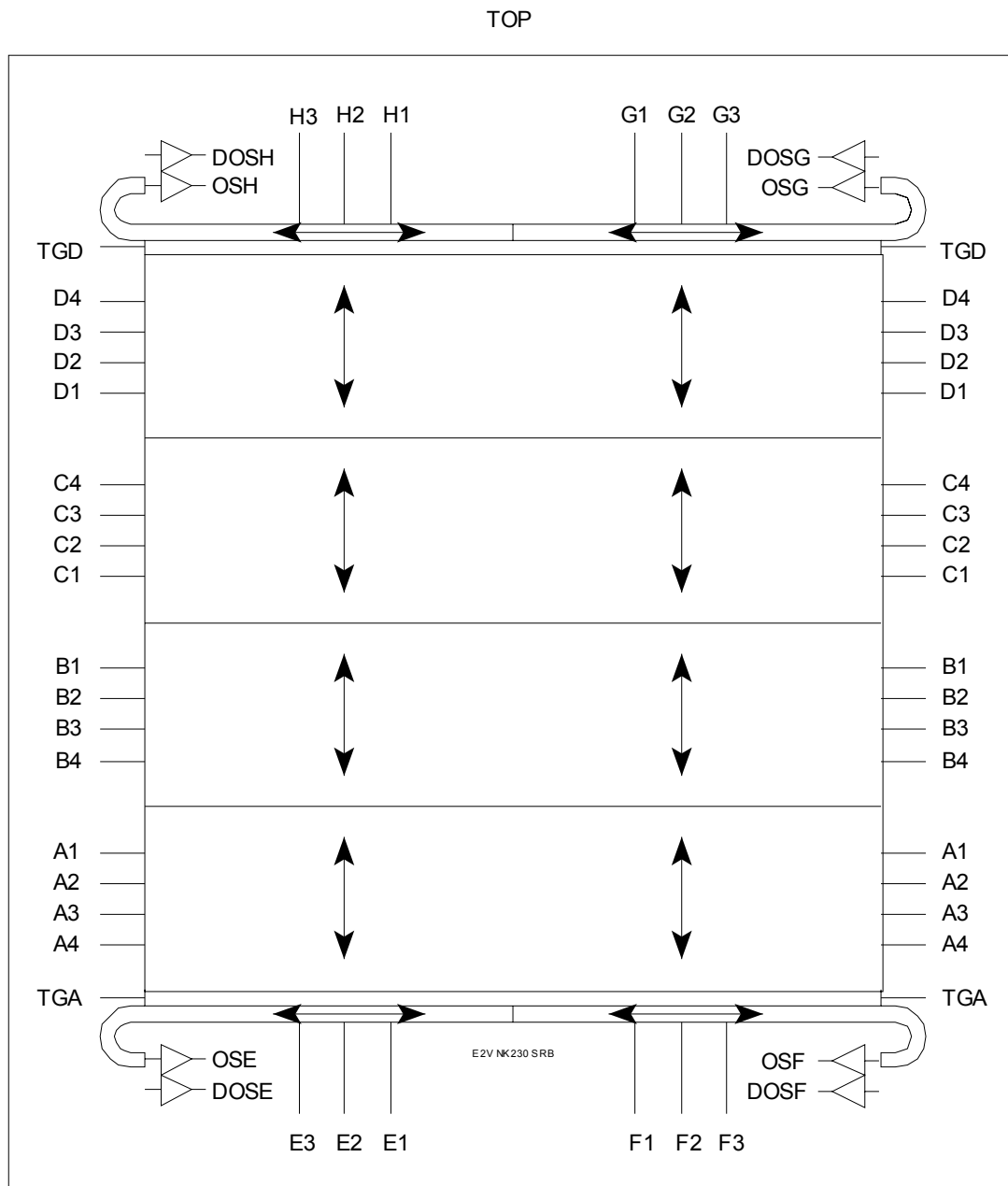
A technique for reducing the noise associated with the charge detection process by subtracting a first output sample taken just after reset from a second sample taken with charge present.

Charge Transfer Efficiency

The fraction of charge stored in a CCD element that is transferred to the adjacent element by a single clock cycle. The charge not transferred remains in the original element, possibly in trapping states and may possibly be released into later elements. The value of CTE is not constant but varies with signal size, temperature and clock frequency.

ARCHITECTURE

Chip Schematic



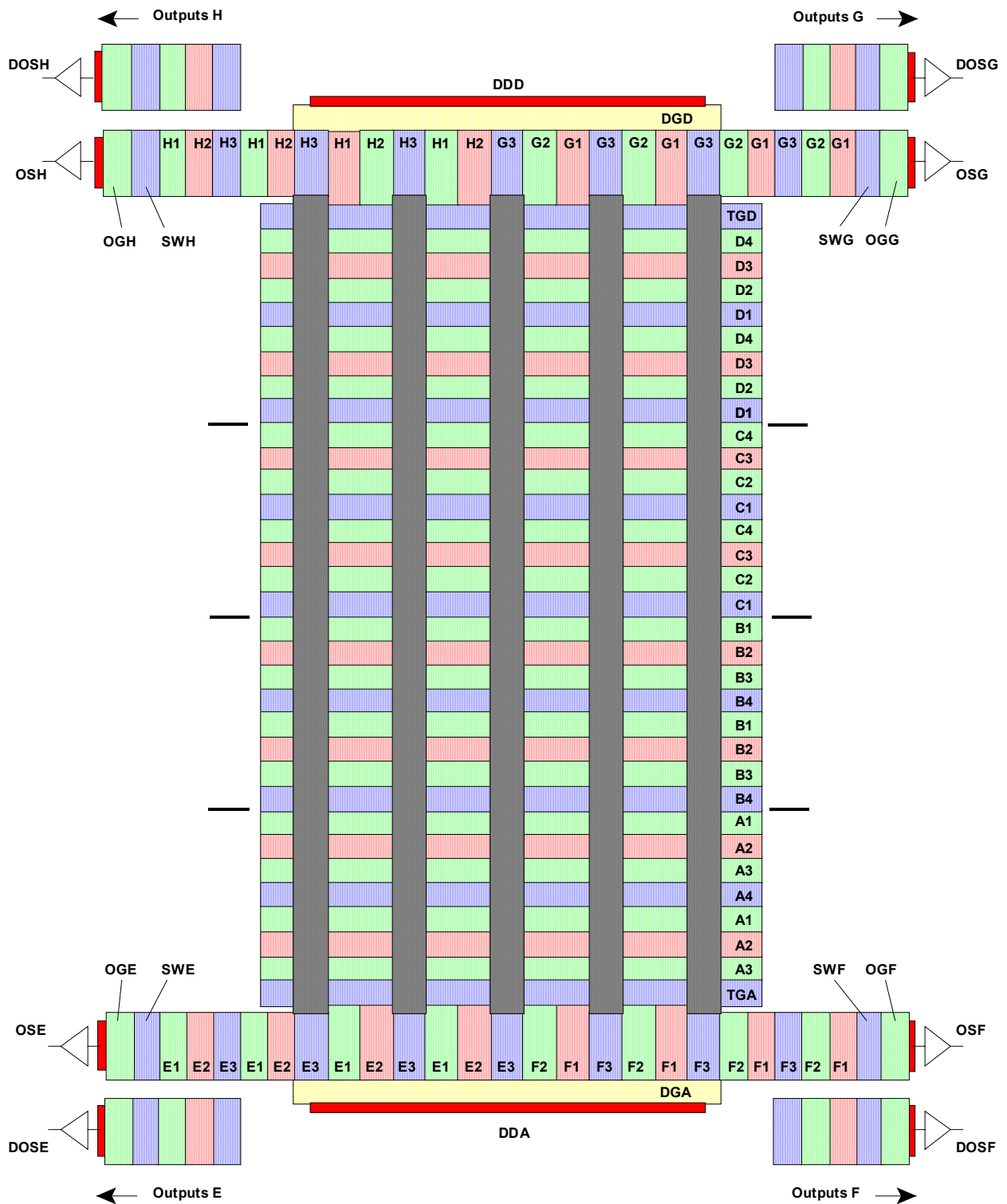
BOTTOM

Image sections A and D each have a total of 6144 (H) x 1544 (V) pixels.

Image sections B and C each have a total of 6144 (H) x 1536 (V) pixels.

Connector-1 (and flexi) is at the "bottom" of the device (register E/F); Connector-2 is at the "top" of the device (register G/H).

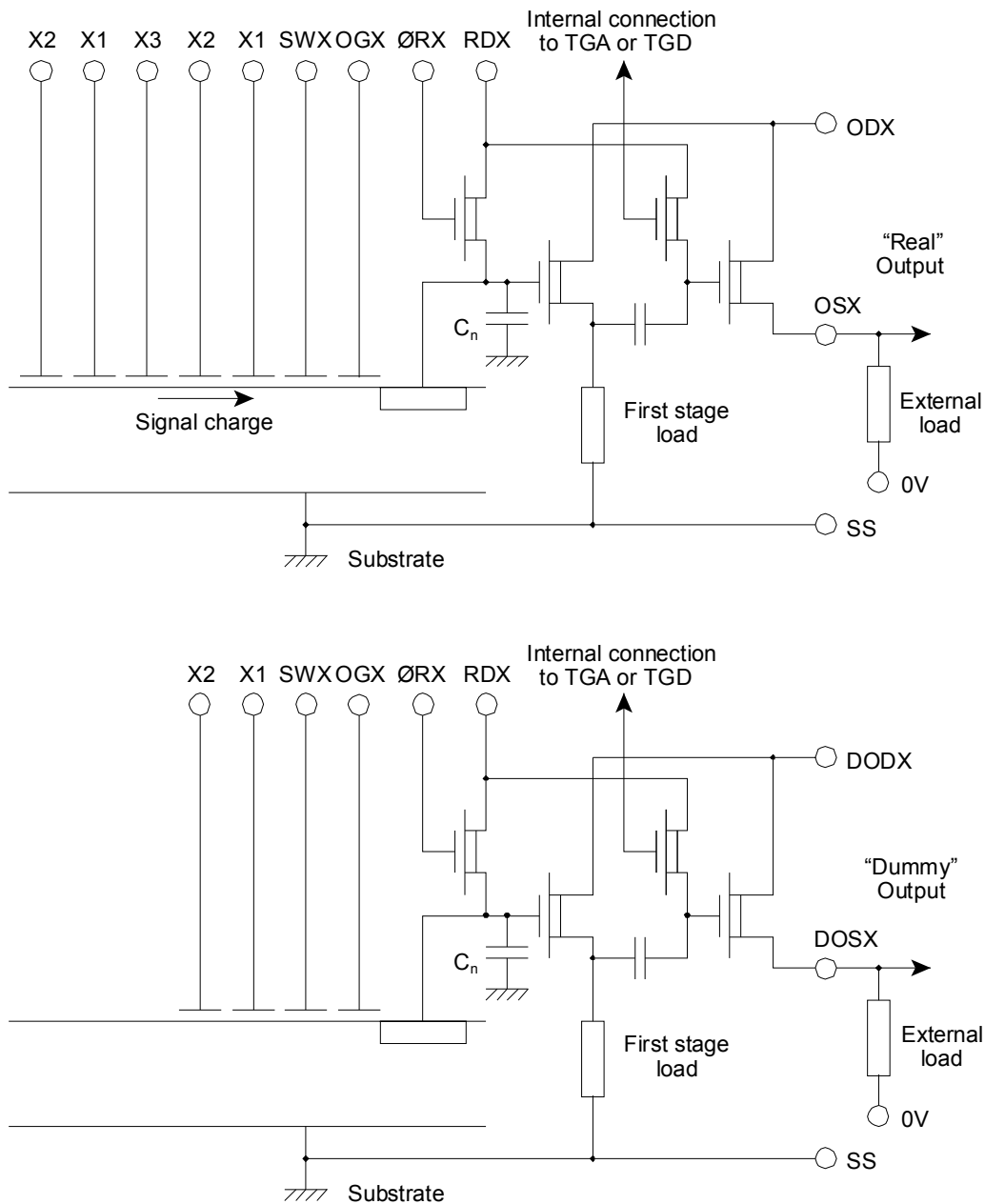
ARRANGEMENT OF ELECTRODES



OUTPUT CIRCUIT

X designates a specific output, namely E, F, G or H.

The 'mapping table' on p14 shows the relationship between serial drive phases (RØ1, etc.) and device clock pins (X1, X2 etc)



The first stage load of each output (real or dummy) draws a quiescent current of approximately 0.2 mA via SS.

The output circuit consists of two capacitor-coupled source-follower stages. The particular design has a very high responsivity to give lowest noise. The load for the first stage is on-chip and that for the second stage is external, as next described. The DC restoration circuitry requires a pulse at the start of line readout, and this is automatically obtained by an internal connection to the adjacent transfer gate, TG. Transferring a line of charges to the register thus automatically activates the circuitry. N.B. TG pulses still need to be applied at similar intervals if only the register and/or output circuit are being operated, e.g. for test or characterisation purposes.

The amplifier output impedance is typically 400 Ω .

If an output is to be powered down, it is recommended that either OD or DOD be set to SS voltage, taking care that the maximum ratings are never exceeded. Alternatively OD and DOD can be disconnected. If external loads return to a voltage below SS they should also be disconnected.

ELECTRICAL INTERFACE

TYPICAL VOLTAGES AND ABSOLUTE MAXIMUM RATINGS

Note that the hyphenated suffix symbols (e.g. ØR-E) indicate to which output any register or amplifier pin relates.

CONNECTOR 1

PIN	REF	DESCRIPTION	CLOCK AMPLITUDE OR DC LEVEL (V) (see note 12)			MAX RATINGS with respect to V _{SS} (V)
			Min	Typical	Max	
1	SS	Substrate (see note 14)	0	0	10	N/A
2	DOS-E	Dummy Output Source (E)	(see note 10)			N/A
3	OS-E	Output Source (E)	(see note 10)			N/A
4	OG-E	Output Gate (E) (see note 11)	1	2.5	(note 11)	±20
5	DG-A	Dump Gate (A) (see note 13)	-2	0	0.5	±20
6	ØR-E	Reset Gate (E) (see note 15)	9	12	14	±20
7	SWØ-E	Summing Well (E) (see note 11)	9	10	12	±20
8	E1	Register Clock Phase 1 (E)	9	10	12	±20
9	E2	Register Clock Phase 2 (E)	9	10	12	±20
10	E3 – F3	Register Clock Phase 3 (E and F)	9	10	12	±20
11	F1	Register Clock Phase 1 (F)	9	10	12	±20
12	F2	Register Clock Phase 2 (F)	9	10	12	±20
13	SWØ-F	Summing Well (F) (see note 11)	9	10	12	±20
14	ØR-F	Reset Gate (F) (see note 15)	9	12	14	±20
15	TG-A	Transfer Gate (A)	9	10	12	±20
16	OG-F	Output Gate (F) (see note 11)	1	2.5	(note 11)	±20
17	OS-F	Output Source (F)	(see note 10)			N/A
18	DOS-F	Dummy Output Source (F)	(see note 10)			N/A
19	SS	Substrate (see note 14)	0	0	10	N/A
20	DOD-E	Dummy Output Drain (E)	25	30	33	-0.3 to +35
21	RD-E	Reset Drain (E)	16	18	19	-0.3 to +25
22	OD-E	Output Drain (E)	25	30	33	-0.3 to +35
23	SS	Substrate (see note 14)	0	0	10	N/A
24	A4	Image Area Clock Phase 4 (A)	9	10	12	±20
25	A3	Image Area Clock Phase 3 (A)	9	10	12	±20
26	B4	Image Area Clock Phase 4 (B)	9	10	12	±20
27	B3	Image Area Clock Phase 3 (B)	9	10	12	±20
28	SS	Substrate (see note 14)	0	0	10	N/A
29	DD-A	Dump Drain (A)	25	29	31	-0.3 to +35
30	B1	Image Area Clock Phase 1 (B)	9	10	12	±20
31	B2	Image Area Clock Phase 2 (B)	9	10	12	±20
32	A1	Image Area Clock Phase 1 (A)	9	10	12	±20
33	A2	Image Area Clock Phase 2 (A)	9	10	12	±20
34	SS	Substrate (see note 14)	0	0	10	N/A
35	OD-F	Output Drain (F)	25	30	33	-0.3 to +35
36	RD-F	Reset Drain (F)	16	18	19	-0.3 to +25
37	DOD-F	Dummy Output Drain (F)	25	30	33	-0.3 to +35

CONNECTOR 2

PIN	REF	DESCRIPTION	CLOCK AMPLITUDE OR DC LEVEL (V) (see note 12)			MAX RATINGS with respect to V _{SS} (V)
			Min	Typical	Max	
1	SS	Substrate (see note 14)	0	0	10	N/A
2	DOS-G	Dummy Output Source (G)	(see note 10)			N/A
3	OS-G	Output Source (G)	(see note 10)			N/A
4	OG-G	Output Gate (G) (see note 11)	1	2.5	(note 11)	±20
5	DG-D	Dump Gate (D) (see note 13)	-2	0	0.5	±20
6	∅R-G	Reset Gate (G) (see note 15)	9	12	14	±20
7	SW∅-G	Summing Well (G) (see note 11)	9	10	12	±20
8	G1	Register Clock Phase 1 (G)	9	10	12	±20
9	G2	Register Clock Phase 2 (G)	9	10	12	±20
10	G3 – H3	Register Clock Phase 3 (G and H)	9	10	12	±20
11	H1	Register Clock Phase 1 (H)	9	10	12	±20
12	H2	Register Clock Phase 2 (H)	9	10	12	±20
13	SW∅-H	Summing Well (H) (see note 11)	9	10	12	±20
14	∅R-H	Reset Gate (H) (see note 15)	9	12	14	±20
15	TG-D	Transfer Gate (D)	9	10	12	±20
16	OG-H	Output Gate (H) (see note 11)	1	2.5	(note 11)	±20
17	OS-H	Output Source (H)	(see note 10)			N/A
18	DOS-H	Dummy Output Source (H)	(see note 10)			N/A
19	SS	Substrate (see note 14)	0	0	10	N/A
20	DOD-G	Dummy Output Drain (G)	25	30	33	-0.3 to +35
21	RD-G	Reset Drain (G)	16	18	19	-0.3 to +25
22	OD-G	Output Drain (G)	25	30	33	-0.3 to +35
23	SS	Substrate (see note 14)	0	0	10	N/A
24	D1	Image Area Clock Phase 1 (D)	9	10	12	±20
25	D2	Image Area Clock Phase 2 (D)	9	10	12	±20
26	C1	Image Area Clock Phase 1 (C)	9	10	12	±20
27	C2	Image Area Clock Phase 2 (C)	9	10	12	±20
28	SS	Substrate (see note 14)	0	0	10	N/A
29	DD-D	Dump Drain (D)	25	29	31	-0.3 to +35
30	C4	Image Area Clock Phase 4 (C)	9	10	12	±20
31	C3	Image Area Clock Phase 3 (C)	9	10	12	±20
32	D4	Image Area Clock Phase 4 (D)	9	10	12	±20
33	D3	Image Area Clock Phase 3 (D)	9	10	12	±20
34	SS	Substrate (see note 14)	0	0	10	N/A
35	OD-H	Output Drain (H)	25	30	33	-0.3 to +35
36	RD-H	Reset Drain (H)	16	18	19	-0.3 to +25
37	DOD-H	Dummy Output Drain (H)	25	30	33	-0.3 to +35

Note that parallel clock phase designations (sequence of phases) differ for connector-2 compared with connector-1.

NOTES

10. Do not connect to voltage supply but use a ~5 mA current source or a ~5 kΩ external load. The quiescent voltage on OS is then about 6 - 8 V above the reset drain voltage and is typically 24 V. The current through these pins must not exceed 20 mA. Permanent damage may result if, in operation, OS or DOS experience short circuit conditions.

For highest speed operation the output load resistor can be reduced from 5 kΩ to approximately 2.2 kΩ, but note that this will increase power consumption. If the device is to be operated with a register clock period of below about 1 MHz then the load may be increased to 10 kΩ to reduce power consumption.

11. Default operation (mode 1) shown with OG set to OG-Lo, with a +2 V nominal value. In this mode SW may be clocked as R∅3 if a summing well function is not required. OG-Lo should have a maximum value of +5 V.

For alternative operation in a low responsivity mode (mode 2) with increased charge handling, OG should be set to OG-Hi and SW should be operated as OG-Lo (i.e. 2V typical). See below for appropriate OG-Hi values. Charge is now read out as R∅2 goes low.

See note 14 also for discussion about Substrate voltage (V_{ss}). With high substrate voltage OG-Hi may be set to a nominal +20 V, which offers best linearity in mode-2. With low substrate voltage, the allowed maximum value of OG-Hi is limited to a nominal +18 V; the lower OG-Hi value has a greater non-linearity.

12. To ensure that any device can be operated the camera should be designed so that any value in the range “min” to “max” can be provided. All operating voltages are with respect to image clock low (nominally 0 V).

The clock pulse low levels should be in the range 0 ± 0.5 V for image clocks. The register and SW clock low level should be +1 V higher. Reset clock low may be nominally 0 V or +1 V.

In all cases, specific recommended settings will be supplied with each science-grade sensor.

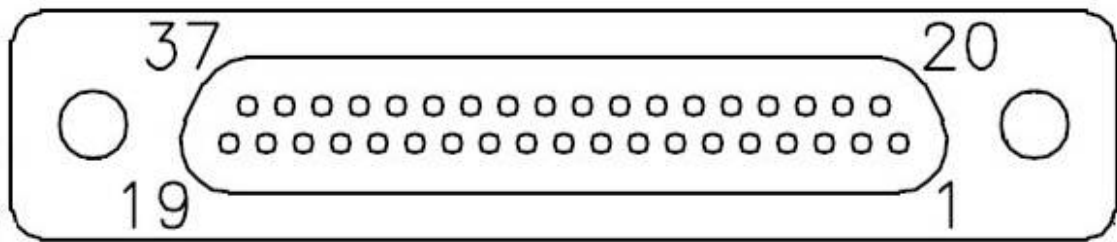
13. Non-charge dumping level shown. For charge dumping, DG should be pulsed to 12 ± 2 V.
14. The substrate voltage (V_{ss}) has a default recommended value of 0 V (“low” substrate). This is particularly recommended for deep-depletion device variants, since it optimises depletion depth for best Point Spread Function. Devices may alternatively be operated at “high” substrate, with $V_{ss} = 9$ V. The high substrate setting offers slightly lower dark current, although this is usually not of primary concern when the device is cryogenically cooled.

The substrate setting has some consequence for the allowed OG upper voltage level, as discussed in note 11.

15. Standard silicon variants are expected to be used with $\varnothing R$ at +10 V or more; deep depletion variants require at least +12 V. A higher value will give a correspondingly higher reset feedthrough signal in the device output (OS).

This data sheet assumes that all signals are relative to the clock low level of 0V. The absolute level for all biases and clock rails may be changed to suit the needs of the designer provided the relative levels are maintained. For example, it is acceptable to change V_{ss} so long as the specified difference between V_{ss} and all other bias and clock voltages is maintained and the current load on all output sources is as recommended in note 10.

PIN CONNECTIONS (View facing pins of connector)



This numbering applies to all connectors. The connector is a Glenair 37P micro D type.

ELECTRICAL INTERFACE CHARACTERISTICS

Electrode capacitances (defined at mid-clock level)

	Typical	Units
IØ/IØ inter-phase [A, B, C and D]	22	nF
IØ/SS [A, B, C and D]	45	nF
Transfer gates [TGA, TGD]	90	pF
RØ total [E1, F1, G1, H1]	220	pF
RØ total [E2, F2, G2, H2]	200	pF
RØ total [E3, F3, G3, H3]	170	pF

The calculated total capacitance on each phase is the sum of the inter-phase capacitance to each of the adjacent phases and the capacitance of the phase to substrate. For example, the total capacitance on phase A1 is 2 times 22nF plus 45 nF for a total of 90 nF.

POWER UP/POWER DOWN

When powering the device up or down it is critical that any specified maximum rating is not exceeded. Specifically the voltage for the amplifier and dump drains (pins 20, 21, 22, 29, 35, 36 and 37) must never be taken negative with respect to the substrate. Hence, if the substrate is to be operated at a positive voltage (e.g. to minimise dark current) then the drive electronics should have a switch-on sequence which powers up all the drains to their positive voltages before the substrate voltage starts to increase from zero.

It is also important to ensure that excess currents (see note 10) do not flow in the OS or DOS pins. Such currents could arise from rapid charging of a signal coupling capacitor or from an incorrectly biased DC-coupled preamplifier.

Similarly, for powering down, the substrate must be taken to zero voltage before the drains.

POWER CONSUMPTION

The power dissipated within the CCD is a combination of the static dissipation of the amplifiers and the dynamic dissipation from the parallel and serial clocking (i.e. driving the capacitive loads).

The table below gives calculated representative values for the components of the on-chip power dissipation for the case of continuous split-frame line-by-line readout using both registers and all the output circuits with both real and dummy amplifiers activated. The frequency is that for clocking the serial register and an appropriate value of the amplifier load is utilised in each case.

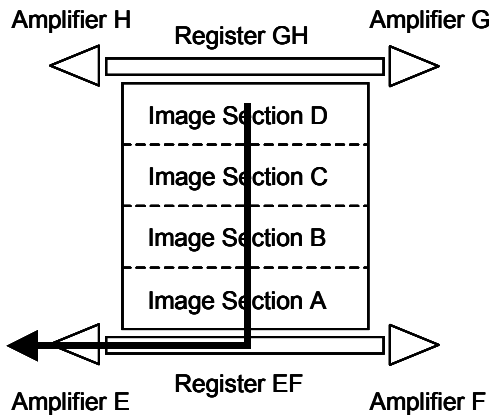
Readout frequency	Line time	Amplifier load	Power dissipation			
			Amplifiers	Serial clocks	Parallel clocks	Total (approx)
100 kHz	31 ms	10 kΩ	165 mW	25 mW	7mW	200 mW
1 MHz	3.1 ms	5 kΩ	275 mW	250 mW	70 mW	600 mW
3 MHz	1 ms	2.2 kΩ	525 mW	750 mW	270 mW	1,500 mW

The dissipation reduces to only that of the amplifiers during the time that charge is being collected in the image sections with both the parallel and serial clocks static.

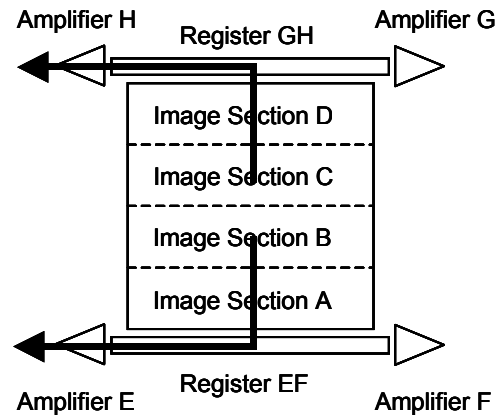
Each flex-cable has a thermal conductivity of approximately 1 mW/°C.

FRAME READOUT MODES

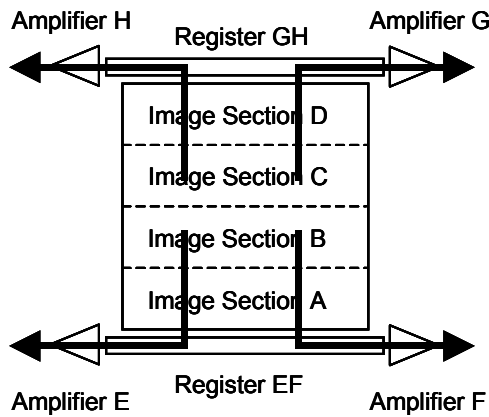
The device can be operated in a full-frame or split full-frame mode with readout from one, two or four amplifiers. These modes are determined by the clock pulse sequences applied to the image and register clocks. The diagrams below show some of the transfer options that are possible.



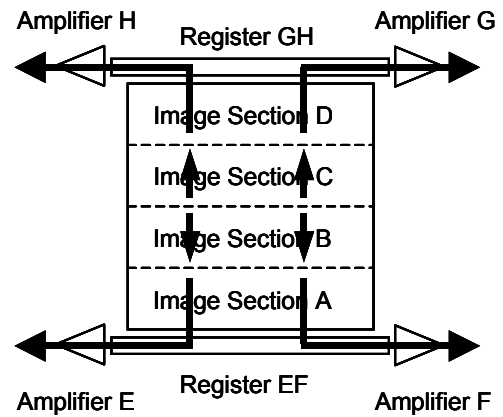
Full frame read-out through one amplifier



Split full frame read-out through two amplifiers



Split full frame read-out through four amplifiers



Split frame transfer through four amplifiers

If the applied drive pulses are designated IØ1, IØ2, IØ3 and IØ4, then connections should be made as tabulated below to effect the following directions of transfer.

	IØ1	IØ2	IØ3	IØ4	
A section transfer towards E-F register	A1	A2	A3	A4	TGA = IØ4
B section transfer towards E-F register	B1	B2	B3	B4	
C section transfer towards G-H register	C1	C2	C3	C4	
D section transfer towards G-H register	D1	D2	D3	D4	TGD = IØ1
A section transfer towards G-H register	A4	A3	A2	A1	TGA = "low"
B section transfer towards G-H register	B4	B3	B2	B1	
C section transfer towards E-F register	C4	C3	C2	C1	
D section transfer towards E-F register	D4	D3	D2	D1	TGD = "low"

The first four transfer sequences are for split frame readout. The second four are for reversing the transfer direction in either section for readout to only one of the registers. For example, using sequences 1, 2, 7 and 8 reads the whole device out through register E-F.

Transfer from the image section to the register is into the phase 1 and 2 electrodes, i.e. E1, F1, G1, H1, E2, F2, G2 and H2. These electrodes must be held at clock "high" level during the process. If the register pulses are designated RØ1, RØ2 and RØ3, then connections should be made as tabulated below to effect the following directions of transfer.

Clock Generator Drive Pulse Name	RØ1	RØ2	RØ3
E section transfer towards E output	E2	E1	E3
F section transfer towards F output	F2	F1	F3
G section transfer towards G output	G2	G1	G3
H section transfer towards H output	H2	H1	H3
E section transfer towards F output	E1	E2	E3
F section transfer towards E output	F1	F2	F3
G section transfer towards H output	G1	G2	G3
H section transfer towards G output	H1	H2	H3

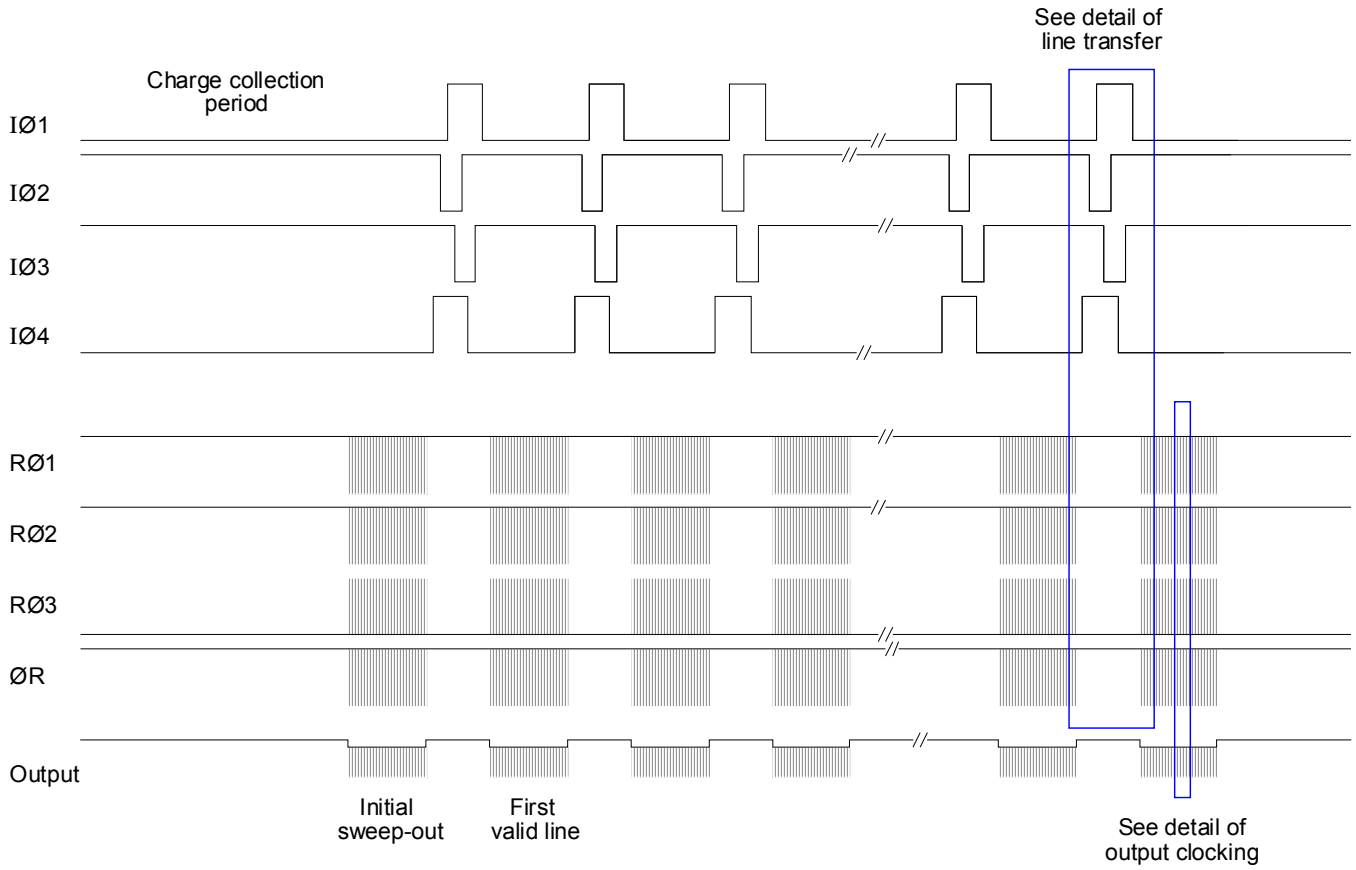
The first four sequences are for split register readout to all four outputs. The second four are for the reversal of direction in any half-section.

The last electrode before the output gate is separately connected to give the function of a summing well (SW). In normal readout (i.e. if not used for summing), SW is clocked as RØ3. For summing, the selected SW gate is held at clock "high" level for the required number of readout cycles, and then clocked as RØ3 to output charge.

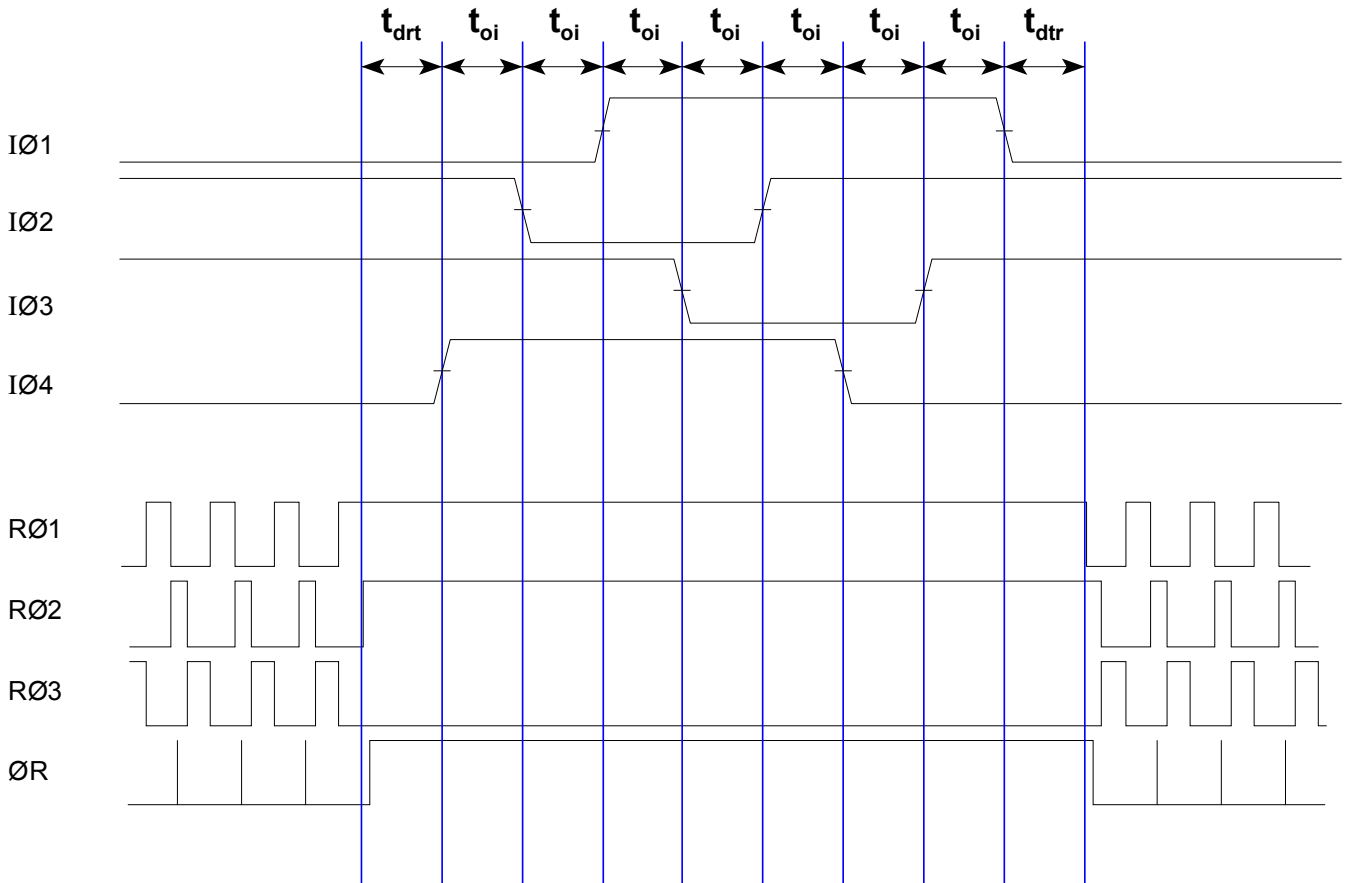
Alternatively, SW may be operated as a second output gate to provide the option of operation in low gain/high signal mode (mode 2) with OG high. If this mode of operation is used, then the sequencing of the output clocks must be changed, as charge now transfers into the output node as RØ2 goes low (see notes 3 and 11).

Image phases 2 and 3 should be held high during signal collection, as shown in the following figures.

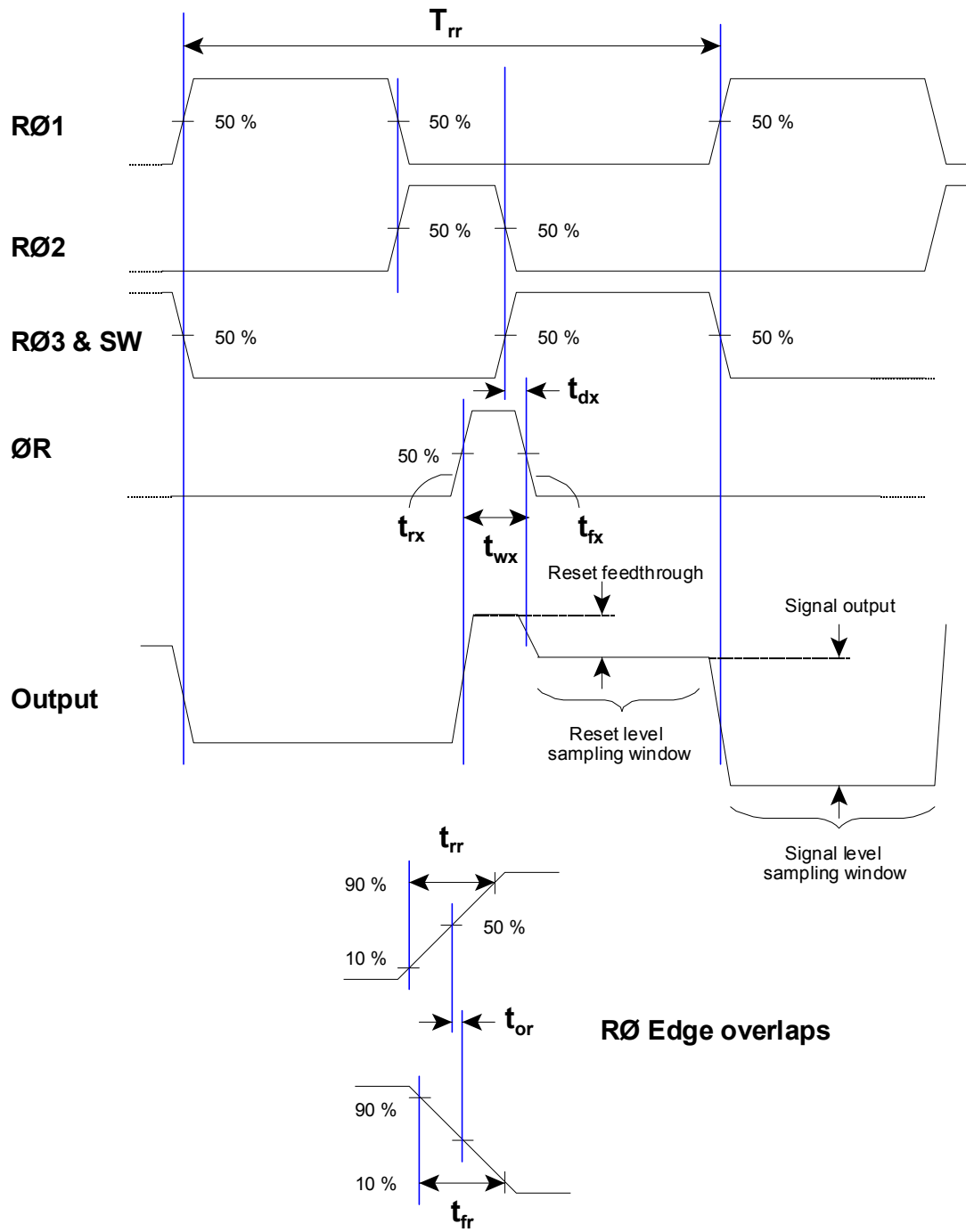
FRAME READOUT TIMING DIAGRAM



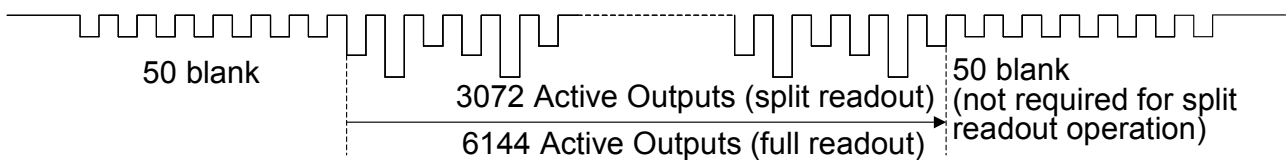
DETAIL OF LINE TRANSFER



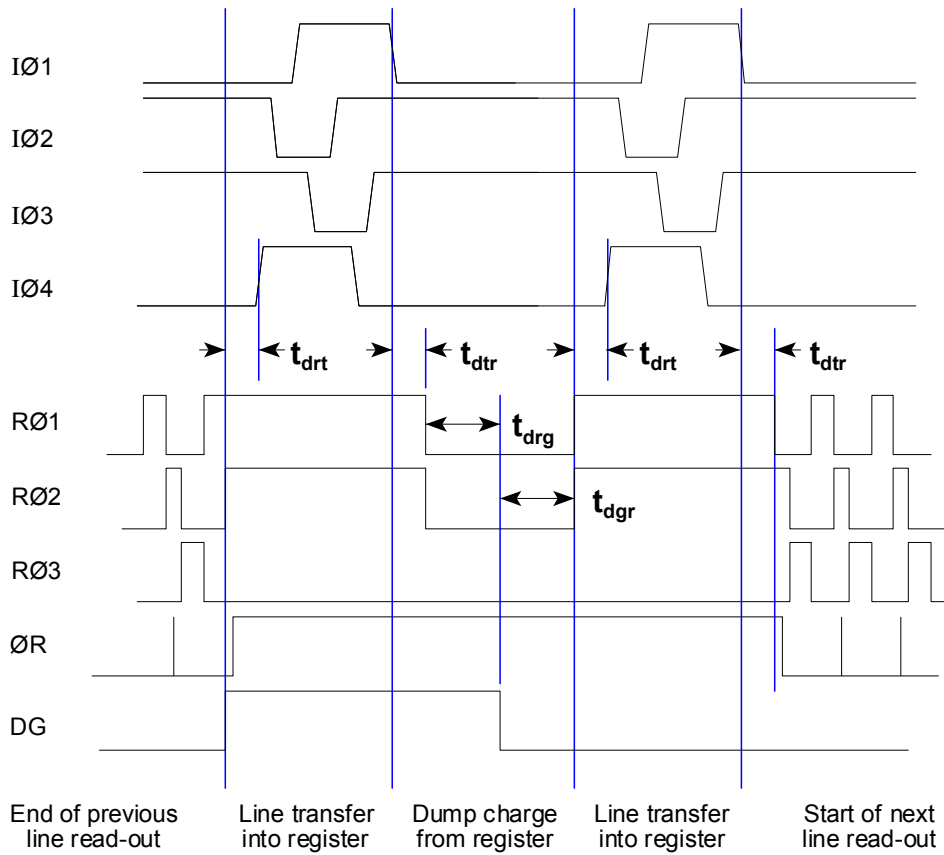
DETAIL OF OUTPUT CLOCKING (with SW clocked as RØ3)



LINE OUTPUT FORMAT



DETAIL OF VERTICAL LINE TRANSFER (Single line dump)



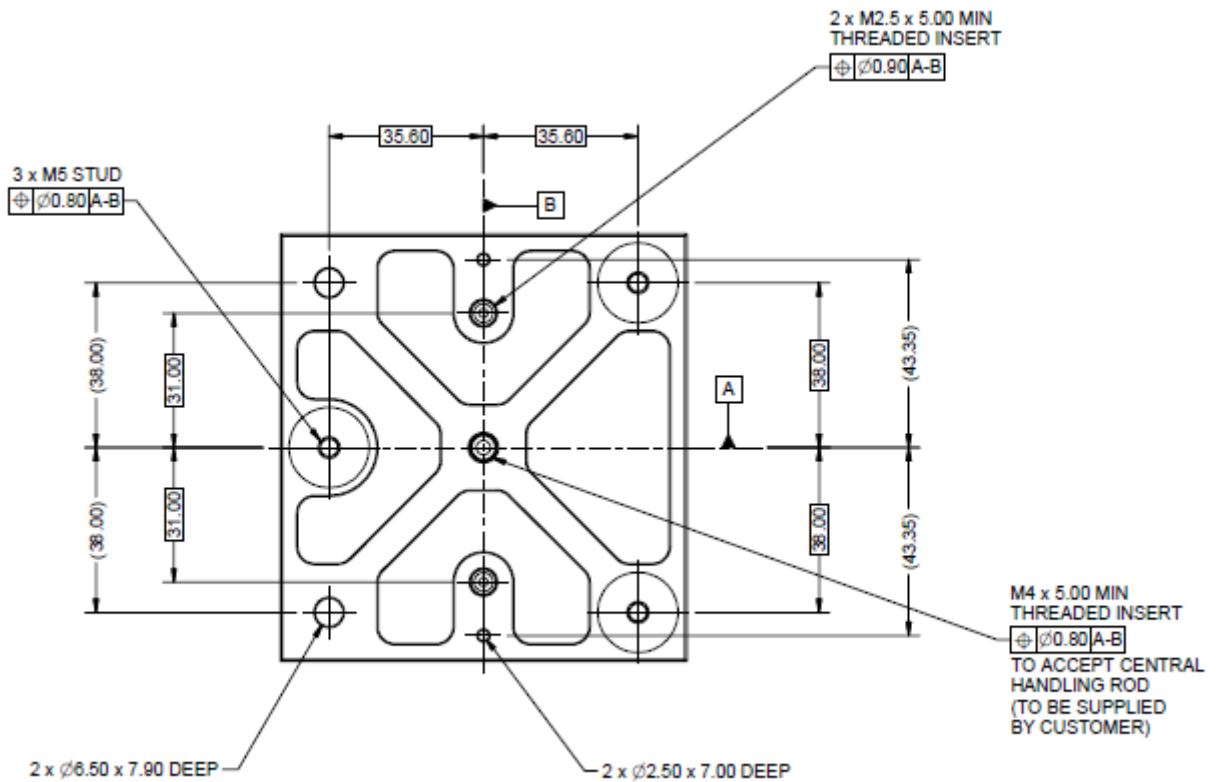
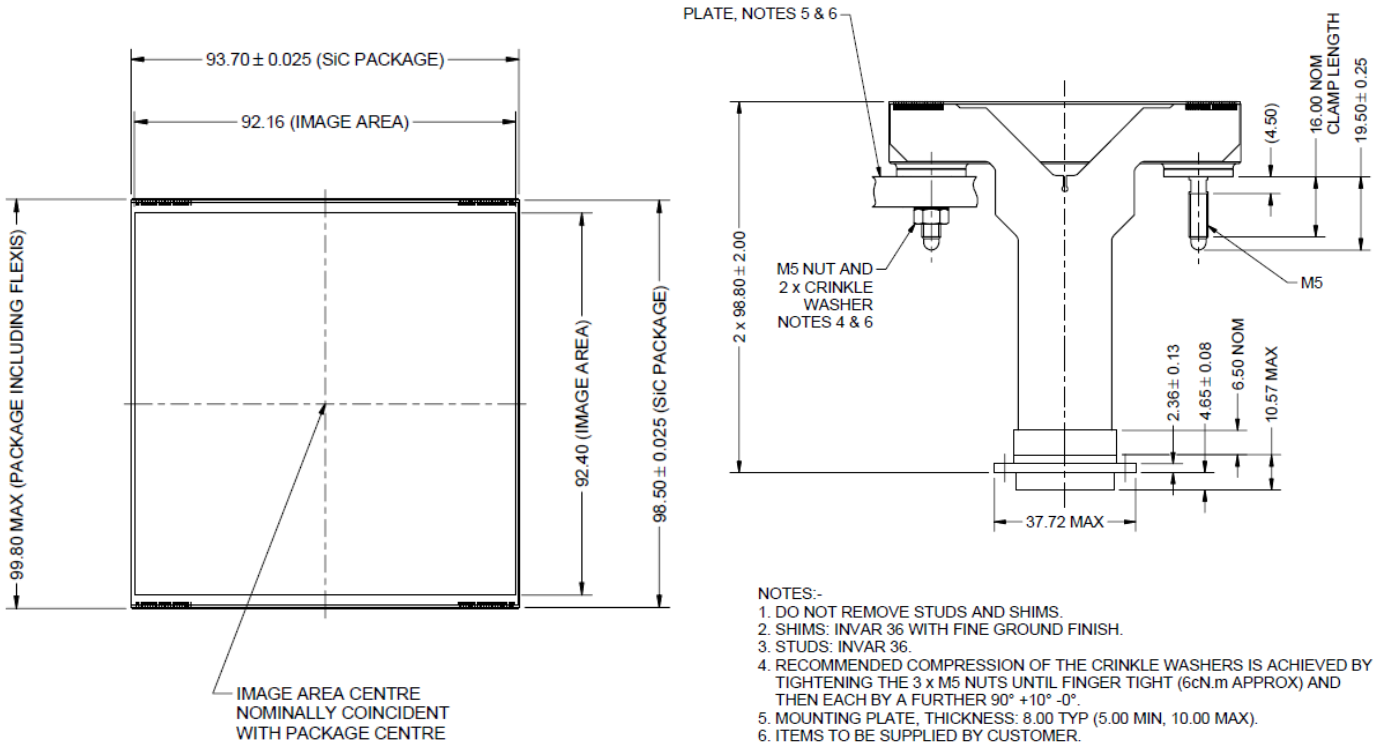
CLOCK TIMING REQUIREMENTS

Symbol	Description	Minimum	Typical	Maximum	Units
T_i	Line transfer time (see note 16)	150	225	(see note 18)	μs
t_{oi}	Image clock pulse edge overlap	15	25	(see note 18)	μs
t_{ri}	Image clock and transfer gate pulse rise time	1	2	$0.3 t_{oi}$	μs
t_{fi}	Image clock pulse fall time	1	2	$0.3 t_{oi}$	μs
t_{drt}	Delay time, RØ stop to IØ rising	10	25	(see note 18)	μs
t_{dtr}	Delay time, IØ falling to RØ start	15	25	(see note 18)	μs
t_{drg}	Delay time, RØ falling to DG rising	10	25	N/A	μs
t_{dgr}	Delay time, DG falling to RØ rising	15	25	N/A	μs
T_{rr}	Register clock period (see notes 19 and 20)	300	2000	(see note 18)	ns
t_{rr}	Register clock pulse rise time	10	60	$0.05T_{rr}$	ns
t_{fr}	Register clock pulse fall time	10	70	$0.05T_{rr}$	ns
t_{or}	Register clock pulse edge overlap	0	50	$0.05T_{rr}$	ns
t_{wx}	Reset pulse width (see note 17)	$>3 t_{rx}$	300	$0.2T_{rr}$	ns
t_{rx}	Reset pulse rise time	10	50	50	ns
t_{fx}	Reset pulse fall time	10	60	50	ns
t_{dx}	Delay time, RØ falling to ØR falling	10	100	$0.05T_{rr}$	ns

NOTES

- Generally $T_i = t_{drt} + 7t_{oi} + t_{dtr}$.
- The RØ2 pulse-width is normally minimised, as shown, such that the RØ1 and RØ3 pulse widths can be increased to maximise the output reset and signal sampling intervals.
- As set by any system specifications.
- The typical timing is for readout at frequencies in the region of 500 kHz.
- For highest speed operation the output load resistor can be reduced from 5 k Ω to approximately 2.2 k Ω , but note that this will increase power consumption. If the device is to be operated with a register clock period of below about 1 MHz, then the load may be increased to 10 k Ω to reduce power consumption.

PACKAGE DETAIL – A. Standard SiC Buttable Package



Consult Teledyne e2v for further package details.

PACKAGE DETAIL – B. Base Contact SiC Buttable Package

An alternate package option is under development to give larger contact regions on the base of the package.

For more details please contact Teledyne e2v.

HANDLING CCD SENSORS

CCD sensors, in common with most high performance MOS IC devices, are static sensitive. In certain cases, a discharge of static electricity may destroy or irreversibly degrade the device. Accordingly, full antistatic handling precautions should be taken whenever using a CCD sensor or module. These include:

- Working at a fully grounded workbench
- Operator wearing a grounded wrist strap
- All receiving sockets to be positively grounded

Evidence of incorrect handling will invalidate the warranty. All devices are provided with internal protection circuits to the gate electrodes (i.e. all CCD pins except SS, DD, RD, OD and OS) but not to the other pins.

The devices are assembled in a clean room environment. Teledyne e2v technologies recommend that similar precautions are taken to avoid contaminating the active surface.

HIGH ENERGY RADIATION

Performance parameters will begin to change if the device is subject to ionising radiation. Characterisation data is held at Teledyne e2v technologies with whom it is recommended that contact be made if devices are to be operated in any high radiation environment.

TEMPERATURE RANGE

Operating temperature range 153 - 323 K

Non-operating temperature range 148 - 358 K

N.B. Storage temperature range is reduced from that shown in previous device provisional datasheets.

Performance parameters are measured with the device at a temperature of 173 K and, as a result, full performance is only guaranteed at this nominal operating temperature.

Operation or storage in humid conditions may give rise to ice on the surface when the sensor taken to low ambient temperatures, thereby causing irreversible damage.

Maximum rate of heating or cooling: 5 K/min

Consult Teledyne e2v for advice on maximum bend radius of flex cables.

PART REFERENCES

CCD231-C6-g-xxx g = cosmetic grade
xxx = device-specific part number

Part Number	Description
CCD231-C6-F28	Standard silicon Astro-BB Package A
CCD231-C6-G12	Standard silicon Astro multi-2 Package A
CCD231-C6-H37	Standard silicon Astro multi-2 Package B
CCD231-C6-G10	Deep depletion Astro-BB Package A
CCD231-C6-G11	Deep depletion Astro multi-2 Package A
CCD231-C6-G58	Deep depletion Astro multi-2 & fringe suppression Package A

Notes

Graded coating devices are not included here, but are available to custom order.

Additional variants may be available to custom order. Consult Teledyne e2v for more information.