

FEATURES

- 1024 by 1024 1:1 image format
- Image area 13.3 x13.3 mm
- Back Illuminated format
- Frame transfer operation
- 13 µm square pixels
- Symmetrical anti-static gate protection
- Very low noise output amplifiers
- Gated dump drain on output register
- 100% active area

APPLICATIONS

- Spectroscopy
- Scientific Imaging
- Medical Imaging

INTRODUCTION

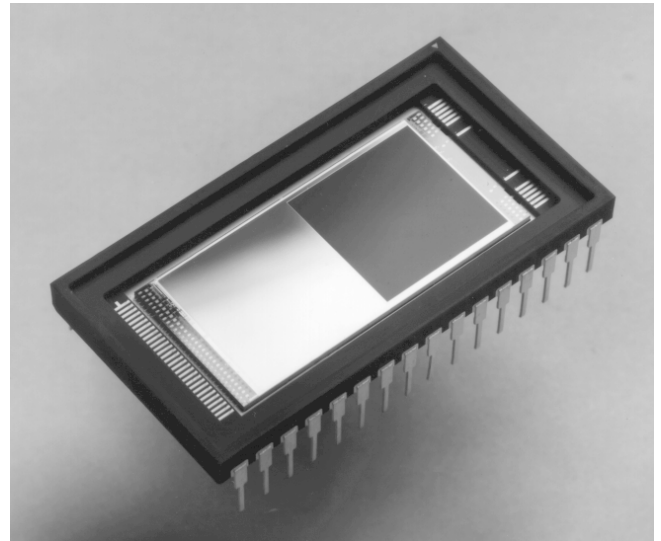
This version of the CCD47 family of CCD sensors has frame transfer architecture. Back illumination technology, in combination with extremely low noise amplifiers, makes the device well suited to the most demanding scientific applications.

This device has a single serial output register. Separate charge detection circuits are incorporated at each end of the register, which is split so that a line of charge can be transferred to either output, or split between the two.

The register is provided with a drain and control gate along the outer edge of the channel for charge dump purposes.

Other variants of the CCD47-20 available are front illuminated format and inverted mode.

Designers are advised to consult Teledyne e2v should they be considering using CCD sensors in abnormal environments or if they require customised packaging.



TYPICAL PERFORMANCE

Maximum readout frequency.....	5 MHz
Output amplifier responsivity.....	4.5 µV/e ⁻
Peak signal	120 ke ⁻ /pixel
Dynamic range (at 20 kHz).....	~60,000:1
Spectral range.....	200 – 1100 nm
Readout noise (at 20 kHz)2 e ⁻ rms

GENERAL DATA

Format

Image area.....	13.3 x13.3 mm
Active pixels (H)	1024
(V).....	1024
Pixel size.....	13 x 13 µm
Storage area	13.3 x13.3 mm
Pixels (H)	1024
(V)	1033

Additional pixels are provided in the image area for dark reference and over-scanning purposes.

Number of output amplifiers.....	2
Weight (approx, no window).....	7.5g

Package

Package size.....	22.7 x 42.0 mm
Number of pins.....	32
Inter-pin spacing	2.54 mm
Window material	removable glass
Package type	ceramic DIL array

Whilst Teledyne e2v has taken care to ensure the accuracy of the information contained herein it accepts no responsibility for the consequences of any use thereof and also reserves the right to change the specification of goods without notice. Teledyne e2v accepts no liability beyond that set out in its standard conditions of sale in respect of infringement of third party patents arising from the use of tubes or other devices in accordance with information contained herein.

Teledyne e2v (UK) Limited, Waterhouse Lane, Chelmsford, Essex CM1 2QU United Kingdom Teledyne e2v (UK) Ltd. is a Teledyne Technologies company.

Telephone: +44 (0)1245 493493 Facsimile: +44 (0)1245 492492

Contact Teledyne e2v by e-mail: Enquiries@Teledyne-e2v.com or visit www.teledyne-e2v.com for global sales and operations centres.

PERFORMANCE

	Min	Typical	Max	
Peak charge storage (see note 1)	80k	120k	-	e ⁻ /pixel
Peak output voltage (no binning)	-	540	-	mV
Dark signal at 293 K (see notes 2 and 3)	-	20	40	ke ⁻ /pixel/s
Dynamic range (see note 4)	-	60,000:1	-	
Charge transfer efficiency (see note 5):				
parallel	-	99.9999	-	%
serial	-	99.9993	-	%
Output amplifier responsivity (see note 3)	3.0	4.5	6.0	μV/e ⁻
Readout noise at 253 K (see notes 3 and 6)	-	2.0	4.0	rms e ⁻ /pixel
Maximum readout frequency (see note 7)	-	5.0	-	MHz
Dark signal non-uniformity at 293 K (std. deviation) (see notes 3 and 8)	-	2	4	ke ⁻ /pixel/s

Note: Register capacity is designed to have 4x the image peak charge storage. This is not factory tested.

SPECTRAL RESPONSE AT 243 K

Wavelength (nm)	Minimum Response (QE)					Maximum Response Non-uniformity (1σ)	
	Basic Midband Coated	Basic Broadband Coated	Basic Uncoated	Basic Midband Coated with SAB (B97)	Deep Depletion Enhanced Multi-2 Coated		
350	15	25	10	15	25		%
400	40	55	25	40	75	3	%
500	85	75	55	80	80		%
650	85	75	50	80	80	3	%
900	30	30	30	25	60	5	%

ELECTRICAL INTERFACE CHARACTERISTICS

Electrode Capacitances (Measured at mid-clock level)

	Min	Typical	Max	
S \emptyset /S \emptyset interphase	-	3.5	-	nF
I \emptyset /I \emptyset interphase	-	3.5	-	nF
I \emptyset /SS and S \emptyset /SS	-	4.5	-	nF
R \emptyset /R \emptyset interphase	-	40	-	pF
R \emptyset /(SS + DG + OD)	-	60	-	pF
\emptyset R/SS	-	10	-	pF
Output impedance at typical operating conditions	-	300	-	Ω

NOTES

1. Signal level at which resolution begins to degrade. Only factory tested on SAB variants at typical ABD voltage.
2. Measured at 243 K with V_{SS} high, the equivalent at 293 K is then determined from:

$$Q_d/Q_{d0} = 122T^3 e^{-6400/T}$$

where Q_d is the measured darks signal at temperature T and Q_{d0} is the dark signal at 293 K.

3. Test carried out on all sensors.
4. Dynamic range is the ratio of full-well capacity to readout noise measured at 243 K and 20 kHz readout frequency.
5. CCD characterisation measurements made using charge generated by X-ray photons of known energy. Not factory tested.
6. Measured using a dual-slope integrator technique (i.e. correlated double sampling) with a 20 μ s integration period.
7. Readout at speeds in excess of 5 MHz into a 15 pF load can be achieved but performance to the parameters given cannot be guaranteed. Factory production test are performed at < 50 kHz only.
8. Measured at 243 K and scaled as per note 2. Measurement excludes white defects.

BLEMISH SPECIFICATION

Traps Pixels where charge is temporarily held. Columns with a trap are counted if they have a capacity greater than 200 e^- at 243 K.

Black spots Are counted when they have a signal level of less than 80% of the local mean at a signal level of approximately half full-well.

White spots Are counted when they have a generation rate 25 times the specified maximum dark signal generation rate (measured between 243 and 293 K). The typical temperature dependence of white spot blemishes is the same as that of the average dark signal i.e.:

$$Q_d/Q_{d0} = 122T^3 e^{-6400/T}$$

White column A column which contains at least 21 white defects.

Black column A column which contains at least 21 black defects.

GRADE	0	1	2
Column defects; black or slipped white	1	2	6
Black spots	50	100	200
Traps >200 e^-	2	5	12
White spots	50	80	100

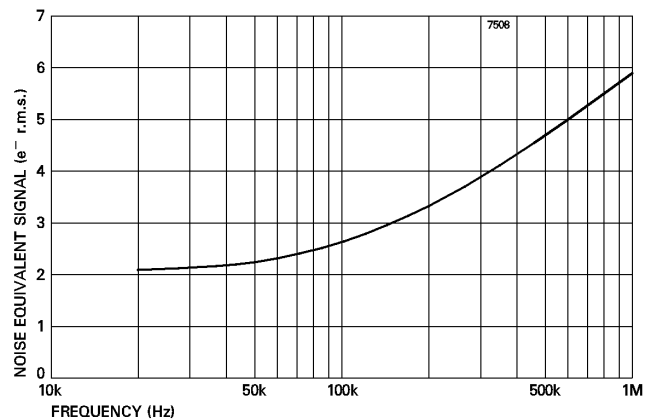
Grade 5 Devices which are fully functional, with image quality below that of grade 2, and which may not meet all other performance parameters.

Note: The effect of temperature on defects is that traps will be observed less at higher temperatures but more may appear below 243 K. The amplitude of white spots and columns will decrease rapidly with temperature.

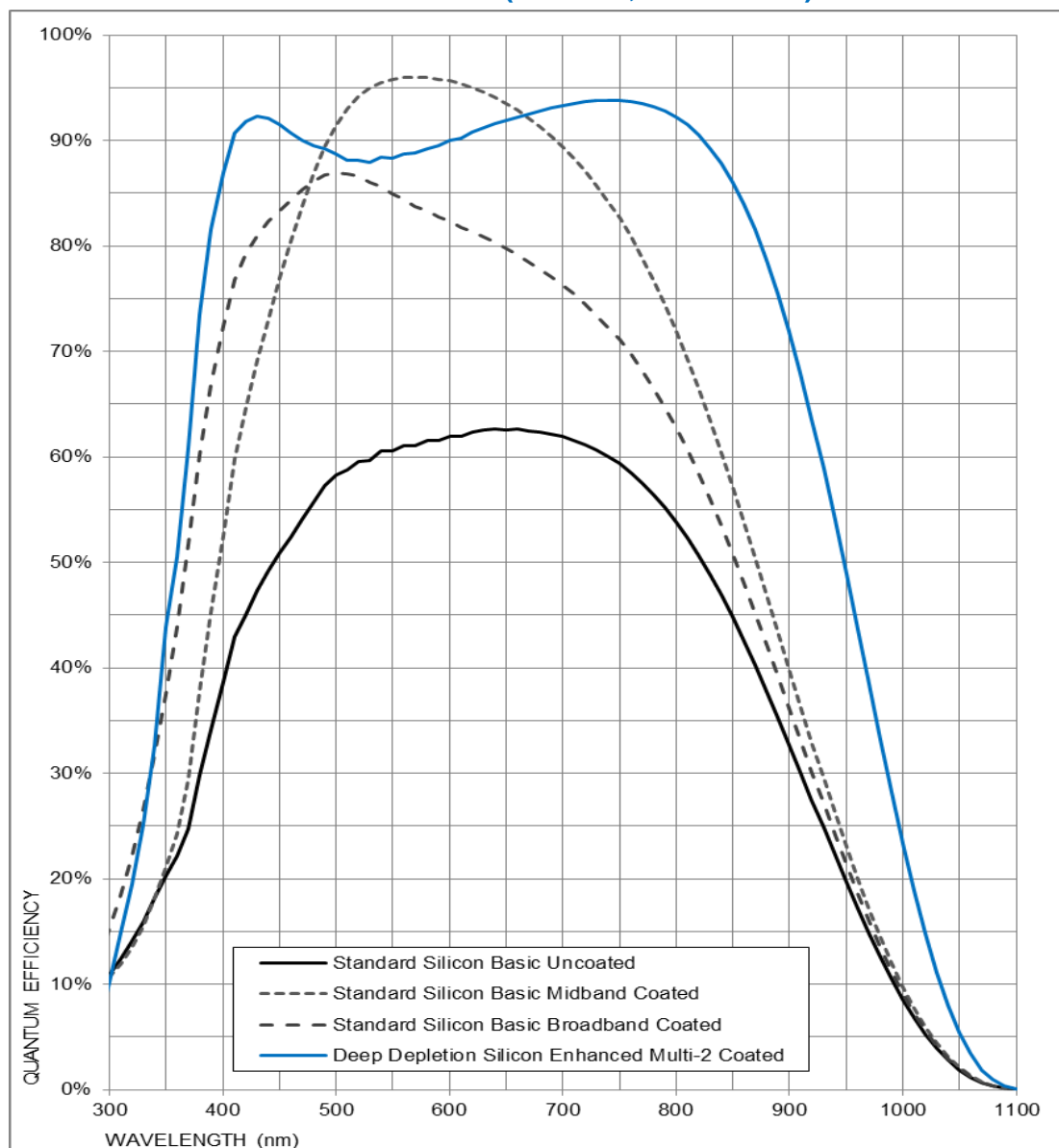
TYPICAL OUTPUT CIRCUIT NOISE

(Measured using clamp and sample)

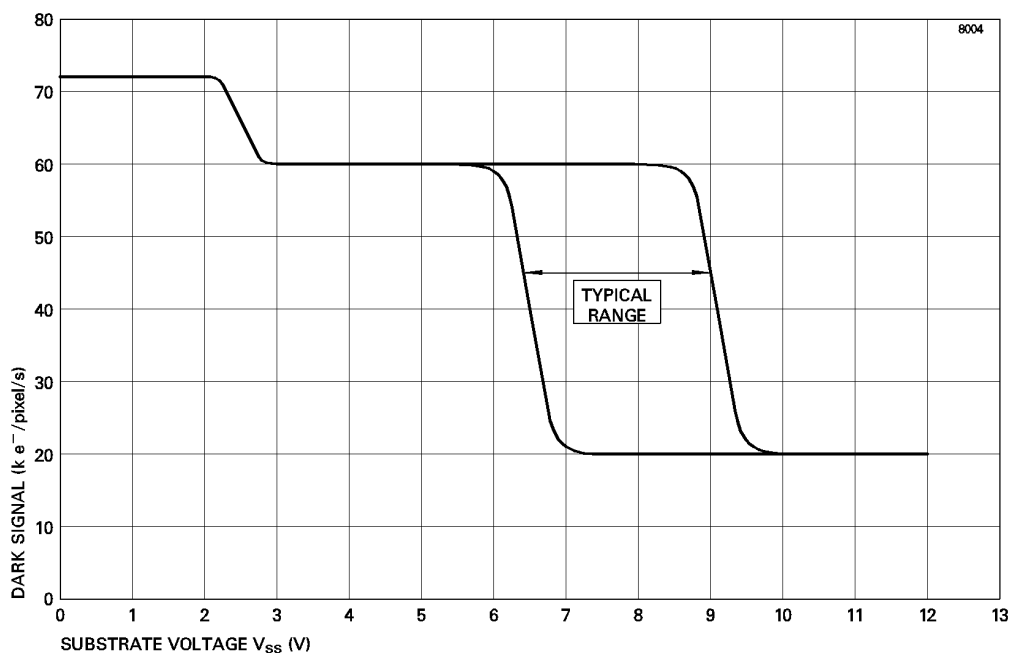
$V_{SS} = 9.5$ V, $V_{RD} = 17$ V, $V_{OD} = 29$ V



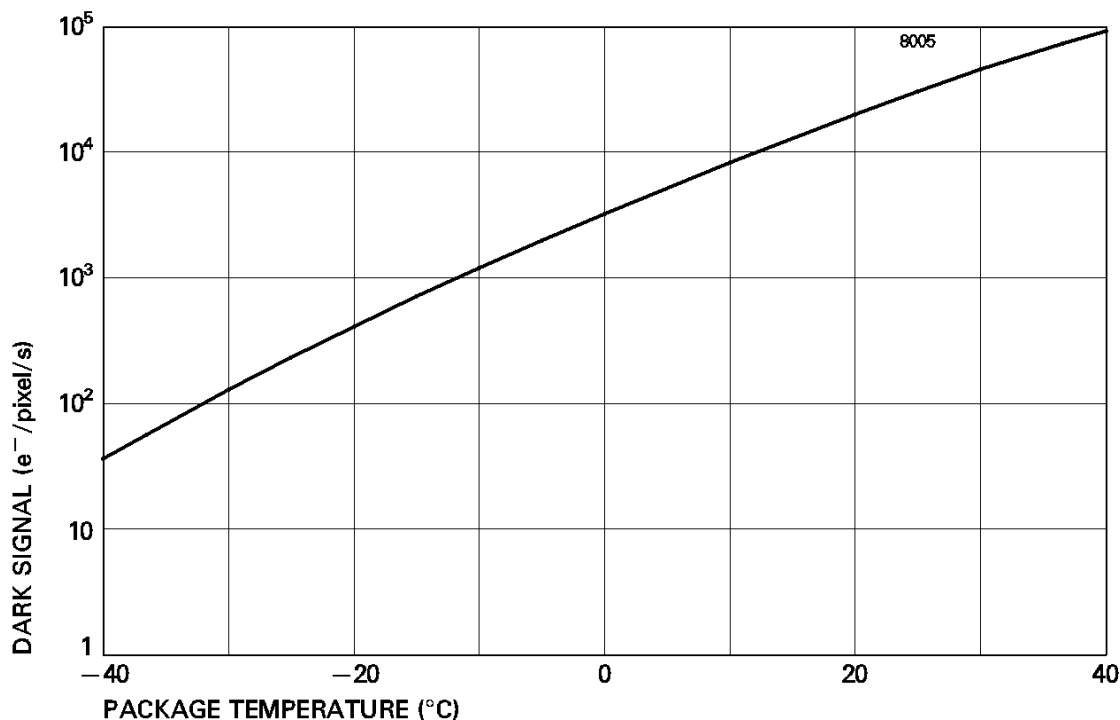
TYPICAL SPECTRAL RESPONSE (At 243K, no window)



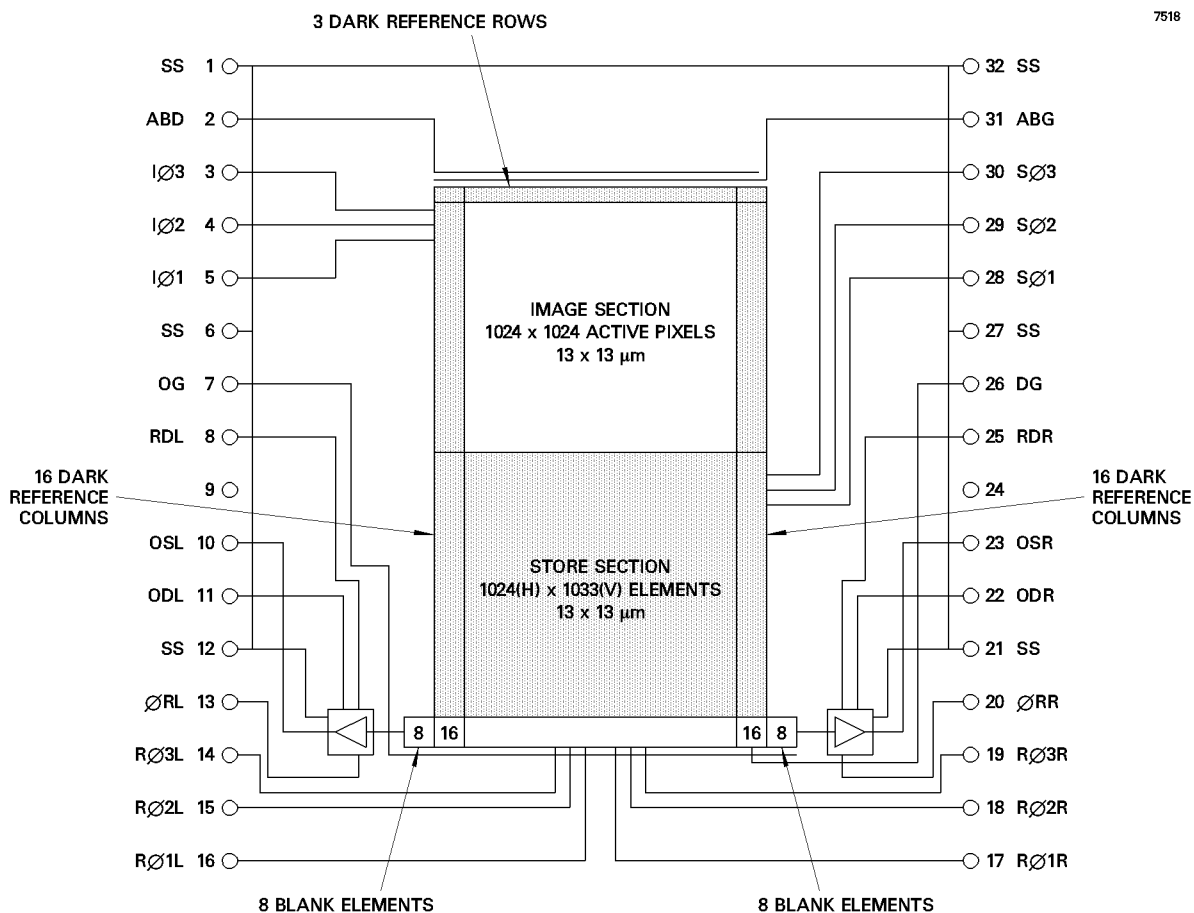
TYPICAL VARIATION OF DARK CURRENT WITH SUBSTRATE VOLTAGE



TYPICAL VARIATION OF DARK SIGNAL WITH TEMPERATURE ($V_{SS} = +9.5\text{ V}$)



DEVICE SCHEMATIC



CONNECTIONS, TYPICAL VOLTAGES AND ABSOLUTE MAXIMUM RATINGS

PIN	REF	DESCRIPTION	PULSE AMPLITUDE OR DC LEVEL (V) (See note 9)			MAXIMUM RATINGS with respect to V _{SS}
			Min	Typical	Max	
1	SS	Substrate	0	9	10	-
2	ABD	Anti-blooming drain (see note 10)	17	20	24	-0.3 to +25 V
3	IØ3	Image area clock, phase 3	8	12	15	±20 V
4	IØ2	Image area clock, phase 2	8	12	15	±20 V
5	IØ1	Image area clock, phase 1	8	12	15	±20 V
6	SS	Substrate	0	9	10	-
7	OG	Output gate	1	3	5	±20 V
8	RDL	Reset transistor drain (left amplifier)	15	17	19	-0.3 to +25 V
9	-	No connection	-			-
10	OSL	Output transistor source (left amplifier)	see note 11			-0.3 to +25 V
11	ODL	Output transistor drain (left amplifier)	27	29	32	-0.3 to +35 V
12	SS	Substrate	0	9	10	-
13	ØRL	Output reset pulse (left amplifier)	8	12	15	±20 V
14	RØ3L	Output register clock phase 3 (left section)	8	10	15	±20 V
15	RØ2L	Output register clock phase 2 (left section)	8	10	15	±20 V
16	RØ1L	Output register clock phase 1 (left section)	8	10	15	±20 V
17	RØ1R	Output register clock phase 1 (right section)	8	10	15	±20 V
18	RØ2R	Output register clock phase 2 (right section)	8	10	15	±20 V
19	RØ3R	Output register clock phase 3 (right section)	8	10	15	±20 V
20	ØRR	Output reset pulse (right amplifier)	8	12	15	±20 V
21	SS	Substrate	0	9	10	-
22	ODR	Output transistor drain (right amplifier)	27	29	32	-0.3 to +35 V
23	OSR	Output transistor source (right amplifier)	see note 11			-0.3 to +25 V
24	-	No connection	-			-
25	RDR	Reset transistor drain (right amplifier)	15	17	19	-0.3 to +25 V
26	DG	Dump gate (see note 12)	-	0	-	±20 V
27	SS	Substrate	0	9	10	-
28	SØ1	Storage area clock, phase 1	8	12	15	±20 V
29	SØ2	Storage area clock, phase 2	8	12	15	±20 V
30	SØ3	Storage area clock, phase 3	8	12	15	±20 V
31	ABG	Anti-blooming gate	0	0	5	±20 V
32	SS	Substrate	0	9	10	-

Maximum voltages between pairs of pins:

pin 10 (OSL) to pin 11 (ODL) +15 V

pin 22 (ODR) to pin 23 (OSR) +15 V

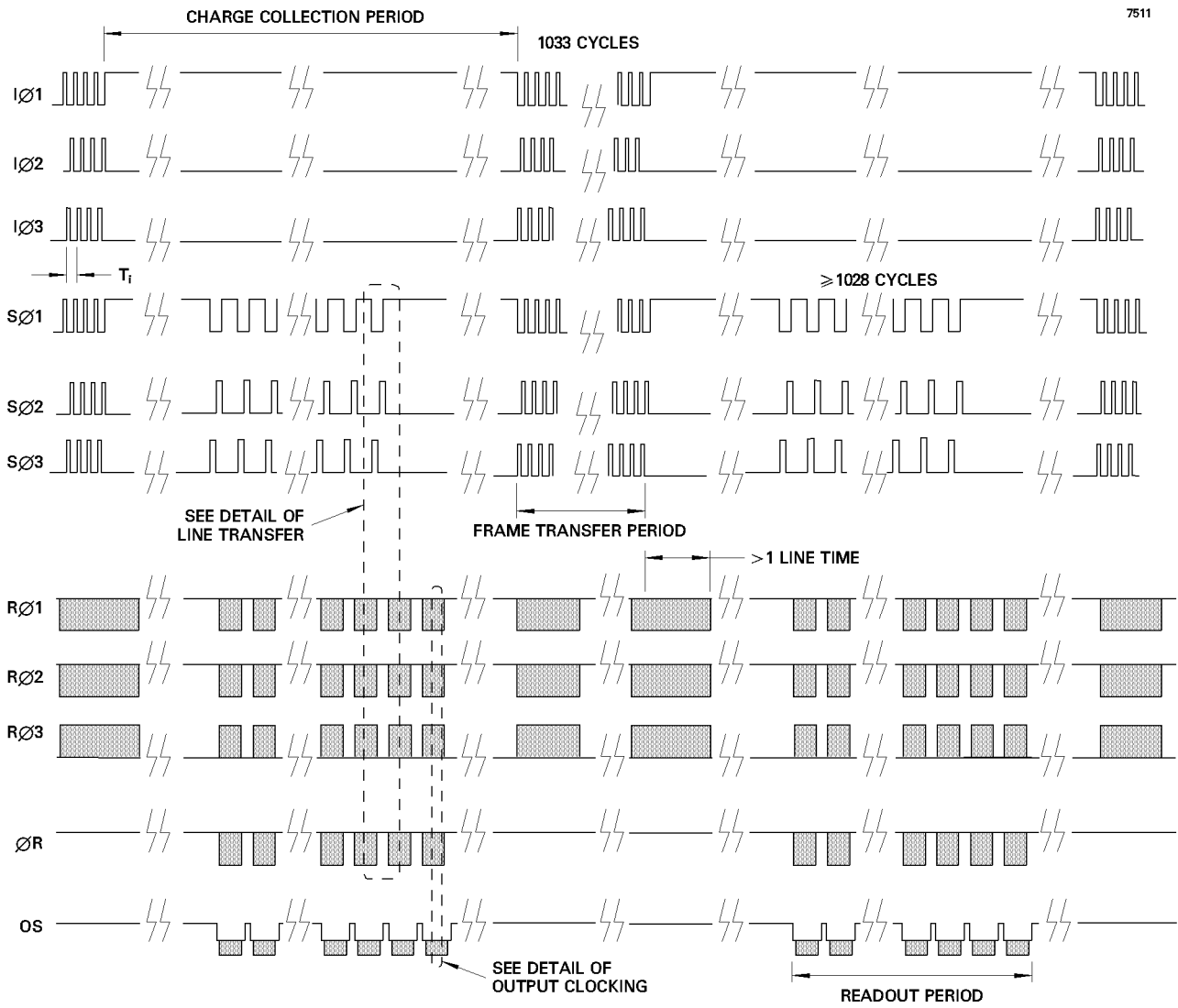
Maximum output transistor current 10 mA

NOTES

- Readout register clock pulse low levels +1 V; other clock low levels 0 ± 0.5 V.
- Voltage min and max values given are for SAB variants. Modulation of ABD will adjust the pixel capacity, with increasing capacity for lower values of ABD. There is natural variation device to device on the exact capacity provided by a given ABD. For non-SAB variants, the pixel drain is not incorporated, but bias is still necessary to avoid spurious charge injection. The same voltage limits can be used, or alternatively ABD can be tied to OD to reduce the number of voltage supplies if operating with substrate high, but the maximum rating with respect to V_{SS} should be observed during the power on and off sequence, i.e. raise drains to mid-level, raise SS then raise drains to values shown. Performance for non-SAB variants is insensitive to the ABD bias in the range given.
- 3 to 5 V below OD. Connect to ground using a 2 to 5 mA current source or appropriate load resistor (typically 5 to 10 k Ω).
- Non-charge dumping level shown. For operation in charge dumping mode, DG should be pulsed to 12 ± 2 V.
- All devices will operate at the typical values given. However, some adjustment within the minimum to maximum range may be required to optimise performance for critical applications. It should be noted that conditions for optimum performance may differ from device to device.
- With the RØ connections shown, the device will operate through the right-hand output only. In order to operate from both outputs, RØ1(L) and RØ2(L) should be reversed.

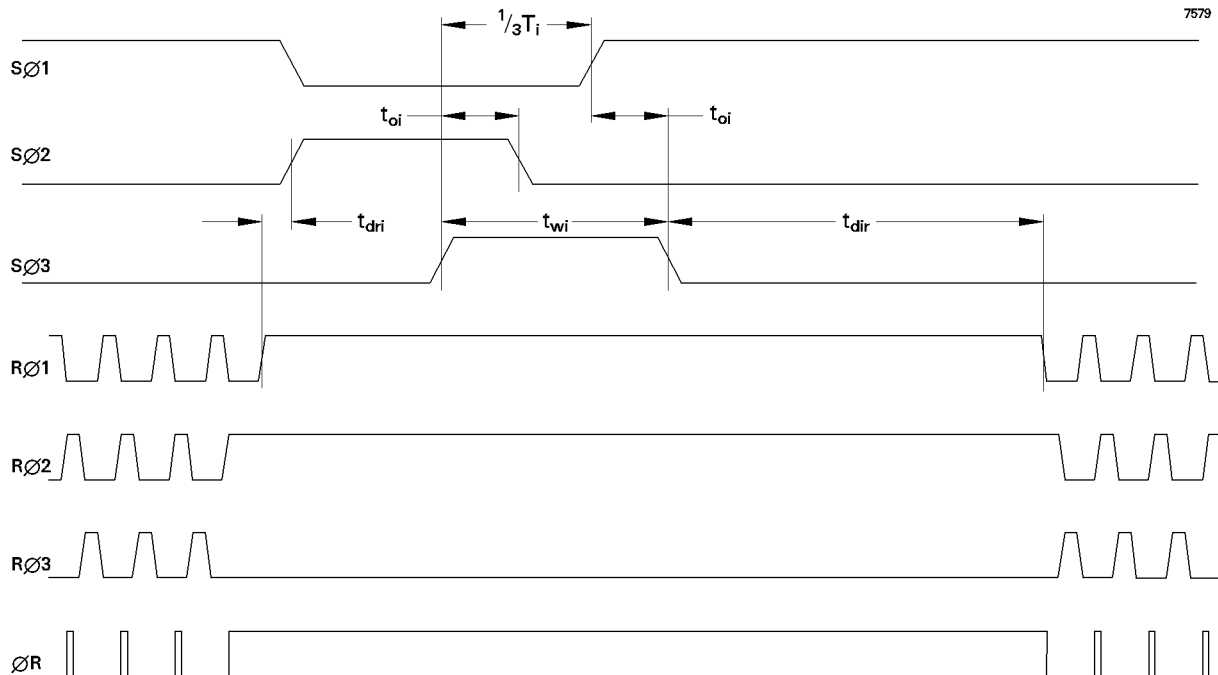
FRAME TRANSFER TIMING DIAGRAM

7511



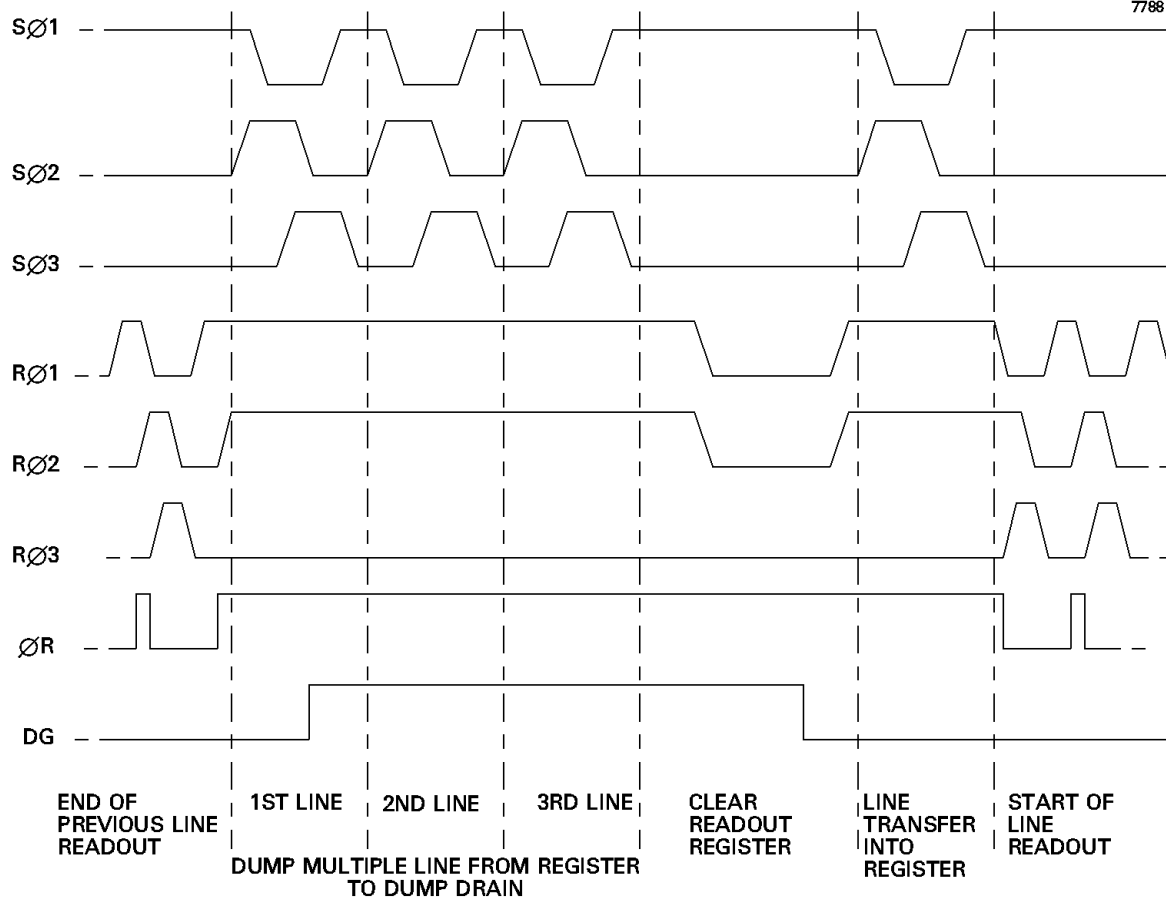
DETAIL OF LINE TRANSFER

7579

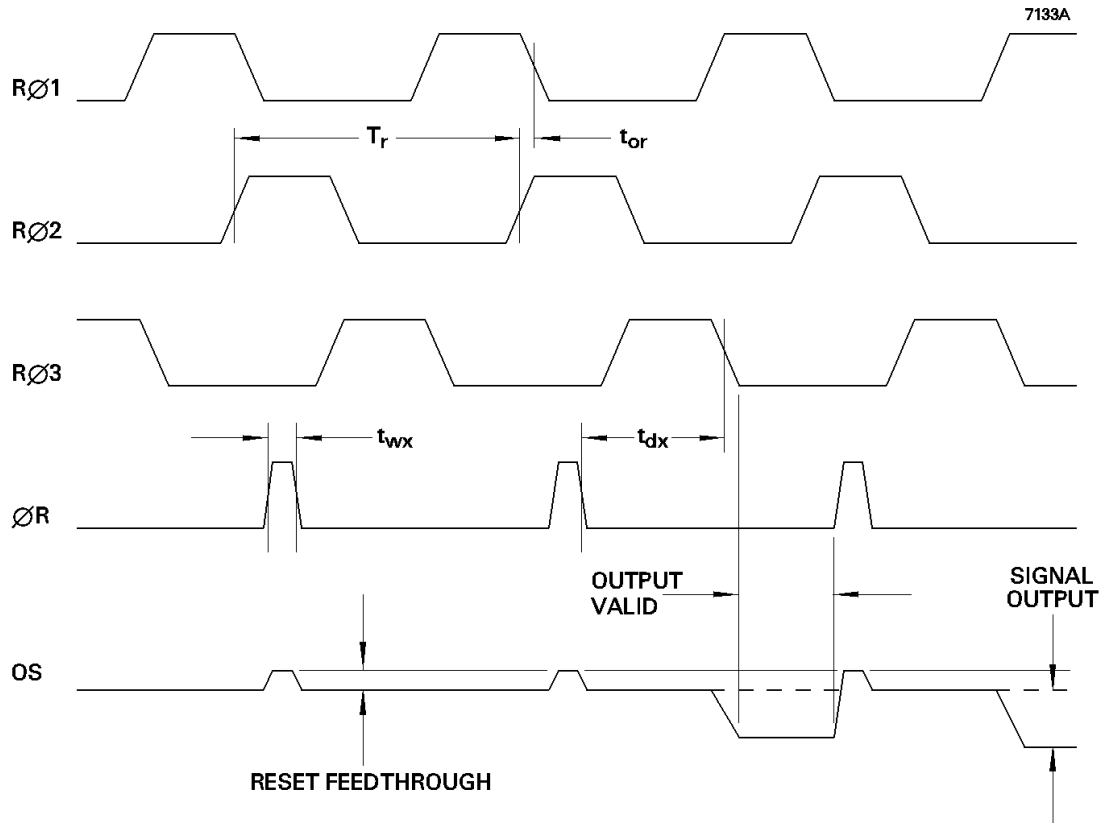


DETAIL OF VERTICAL LINE TRANSFER (Multiple line dump)

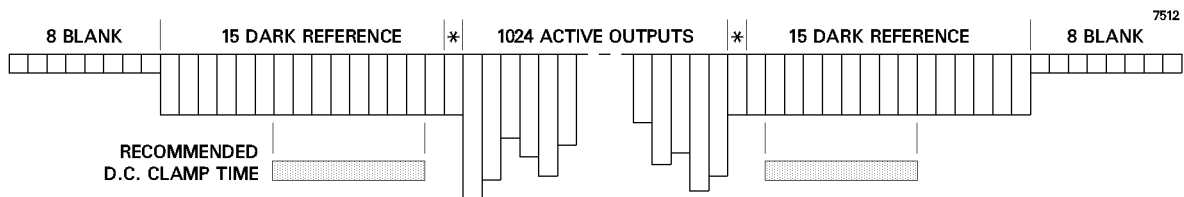
7788



DETAIL OF OUTPUT CLOCKING



LINE OUTPUT FORMAT



* = Partially shielded transition elements

CLOCK TIMING REQUIREMENTS

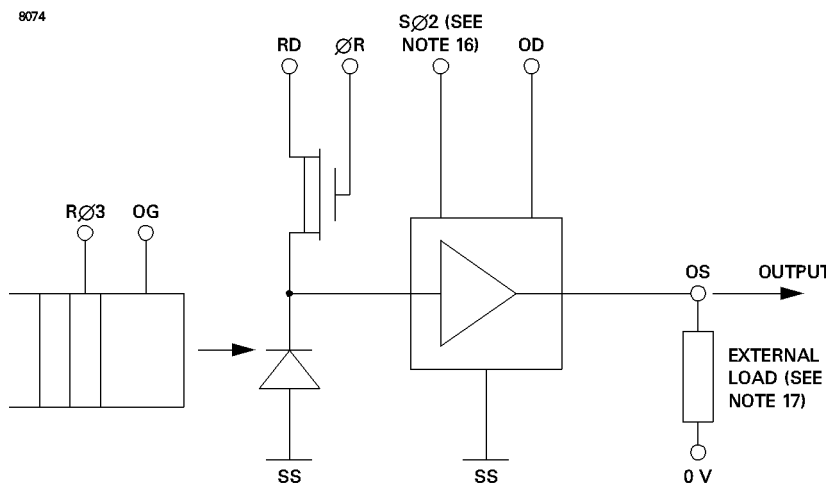
Symbol	Description	Min	Typical	Max	
T_i	Store clock period	2	5	see note 15	μs
t_{wi}	Image/store clock pulse width	1	2.5	see note 15	μs
t_{ri}	Image/store clock pulse rise time (10 to 90%)	0.1	0.5	$0.2T_i$	μs
t_{fi}	Image/store clock pulse fall time (10 to 90%)	t_{ri}	0.5	$0.2T_i$	μs
t_{oi}	Image/store clock pulse overlap	$(t_{ri} + t_{fi})/2$	0.5	$0.2T_i$	μs
t_{dir}	Delay time, SØ stop to RØ start	1	1	see note 15	μs
t_{dri}	Delay time, RØ stop to SØ start	1	1	see note 15	μs
T_r	Output register clock cycle period	200	1000	see note 15	ns
t_{rr}	Clock pulse rise time (10 to 90%)	50	$0.1T_r$	$0.3T_r$	ns
t_{fr}	Clock pulse fall time (10 to 90%)	t_{rr}	$0.1T_r$	$0.3T_r$	ns
t_{or}	Clock pulse overlap	20	$0.5t_{rr}$	$0.1T_r$	ns
t_{wx}	Reset pulse width	30	$0.1T_r$	$0.3T_r$	ns
t_{rx}, t_{fx}	Reset pulse rise and fall times	$0.2t_{wx}$	$0.5t_{rr}$	$0.1T_r$	ns
t_{dx}	Delay time, ØR low to RØ3 low	30	$0.5T_r$	$0.8T_r$	ns

NOTES

15. No maximum other than that necessary to achieve an acceptable dark signal at the longer readout times.

OUTPUT CIRCUIT

8074

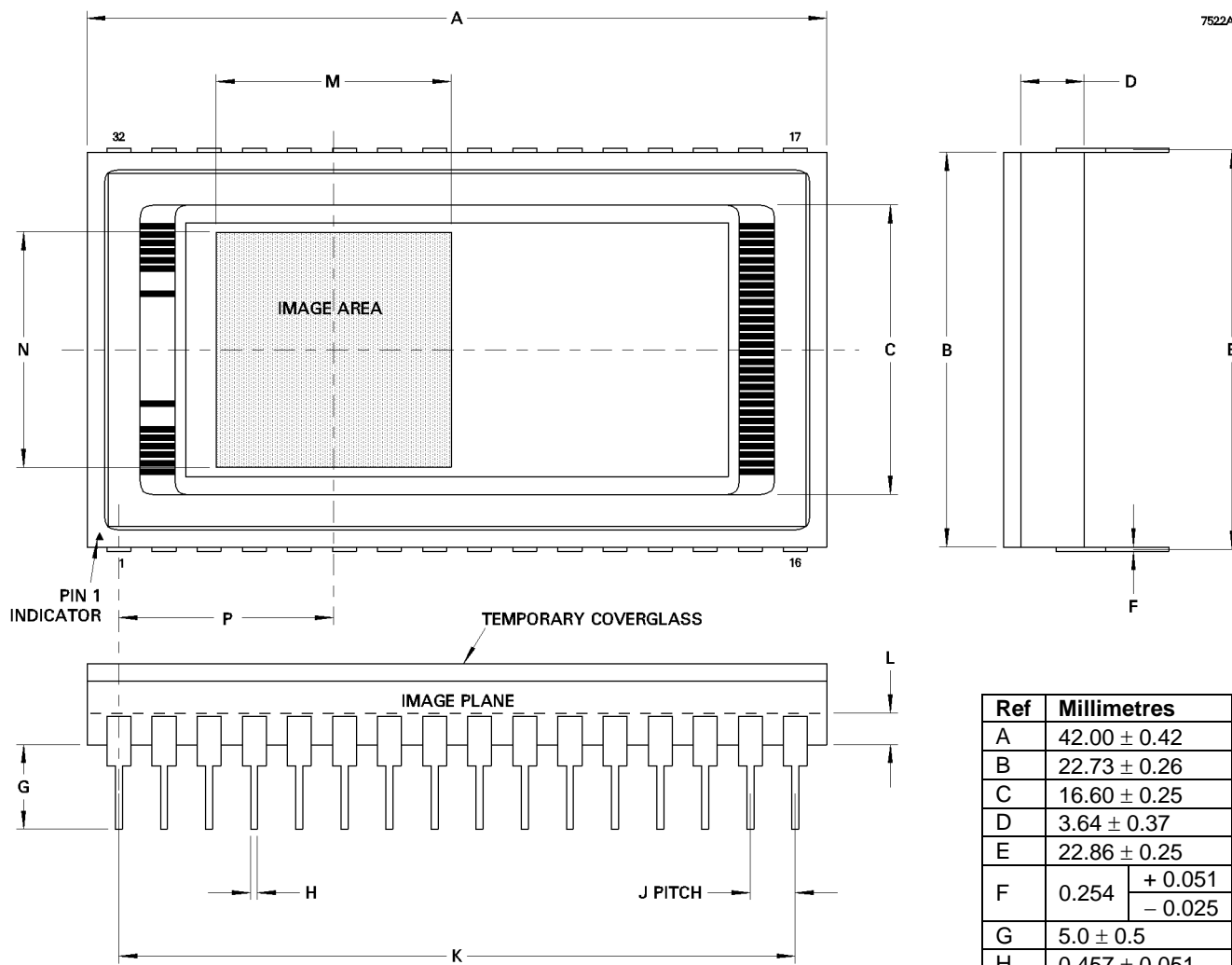


NOTES

16. The amplifier has a DC restoration circuit which is internally activated whenever SØ2 is high.

17. Not critical; can be a 3 to 5 mA constant current supply or an appropriate load resistor.

OUTLINES (All dimensions in millimetres; dimensions only verified on a sample basis not per manufactured sensor, dimensions without limits are nominal)



Ref	Millimetres
A	42.00 ± 0.42
B	22.73 ± 0.26
C	16.60 ± 0.25
D	3.64 ± 0.37
E	22.86 ± 0.25
F	0.254 $\begin{matrix} +0.051 \\ -0.025 \end{matrix}$
G	5.0 ± 0.5
H	0.457 ± 0.051
J	2.54 ± 0.13
K	38.1
L	1.65 ± 0.25
M	13.3
N	13.3
P	12.2 ± 0.5

ORDERING INFORMATION

Non-standard options can include:

- Permanent window
- Alternative image area coatings

For further information on these and other options, contact Teledyne e2v.

HANDLING CCD SENSORS

CCD sensors, in common with most high performance MOS IC devices, are static sensitive. In certain cases a discharge of static electricity may destroy or irreversibly degrade the device. Accordingly, full antistatic handling precautions should be taken whenever using a CCD sensor or module. These include:

- Working at a fully grounded workbench
- Operator wearing a grounded wrist strap
- All receiving socket pins to be grounded
- Unattended CCDs should not be left out of their conducting foam or socket.

Evidence of incorrect handling will invalidate the warranty. All gate electrodes are provided with internal protection circuits but not the other pins.

HIGH ENERGY RADIATION

Device parameters may begin to change if subject to an ionising radiation.

Users planning to use CCDs in a high radiation environment are advised to contact Teledyne e2v.

TEMPERATURE LIMITS

	Min	Typical	Max	
Non-operating.....	153	293	353	K
Operating.....	153	273	323	K

Operation or storage in humid conditions may give rise to ice on the sensor surface on cooling, causing irreversible damage.

Maximum device heating/cooling5 K/min