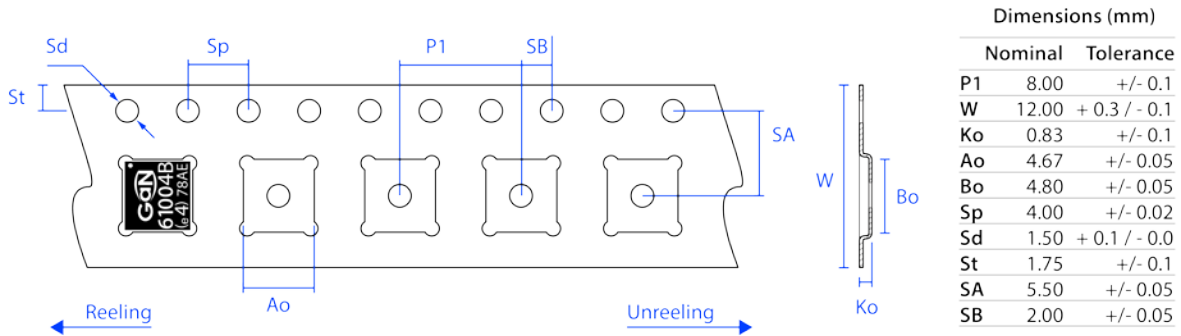
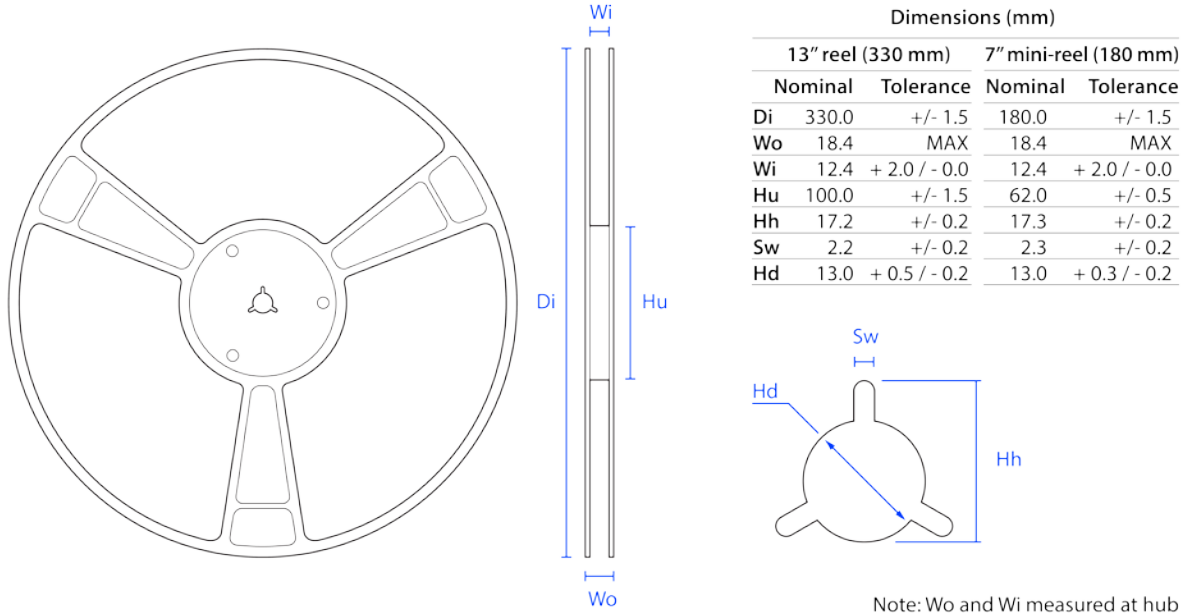
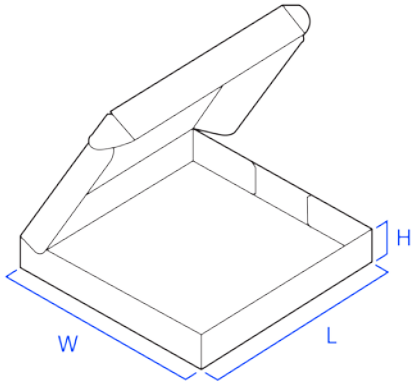


TDG100E45BEPX GaNPX® Tape and Reel Information



Information contained herein is classified as EAR99 under the U.S. Export Administration Regulations. Export, re-export or diversion contrary to U.S. law is prohibited.

Tape and Reel Box Dimensions



Outside dimensions (mm)

	7" mini-reel	13" tape-reel
W	197	342
L	204	355
H	32	53

Contact Information:

Teledyne e2v ~ <http://www.teledyne-e2v.com> ~ inquiries@e2v-us.com

Trademarks are the property of their respective owners.

Advanced Information: The product is in a formative or design stage. The data sheet contains design target specifications for product development. Specifications and features may change in any manner without notice.

Preliminary Specification: The data sheet contains preliminary data. Additional data may be added at a later date. Teledyne e2v, Inc reserves the right to change specifications at any time without notice in order to supply the best possible product.

Product Specification: The data sheet contains final data. In the event e2v, Inc decides to change the specifications, Teledyne e2v, Inc will notify customers of the intended changes by issuing a CNF (Customer Notification Form).

The information in this data sheet is believed to be reliable. However, Teledyne e2v, Inc assumes no liability for the use of this information. Use shall be entirely at the user's own risk. No patent rights or licenses to any circuits described in this data sheet are implied or granted to any third party. Teledyne e2v, Inc's products are not designed or intended for use in devices or systems intended for surgical implant, or in other applications intended to support or sustain life, or in any application in which the failure of the Teledyne e2v, Inc product could create a situation in which personal injury or death might occur. Teledyne e2v, Inc assumes no liability for damages, including consequential or incidental damages, arising out of the use of its products in such applications.

Information contained herein is classified as EAR99 under the U.S. Export Administration Regulations. Export, re-export or diversion contrary to U.S. law is prohibited.