

The data to be read in conjunction with the Hydrogen Thyatron Preamble.

ABRIDGED DATA

Deuterium-filled two gap thyatron with ceramic envelope, featuring high peak current, high rate of rise of current, low jitter and drift.

The two main trigger grids enable a high current grid 1 pre-pulse to be used, which enables sub-nanosecond jitter to be achieved.

A reservoir normally operated from a separate heater supply is incorporated. The reservoir heater voltage can be adjusted to a value consistent with anode voltage hold-off in order to achieve the fastest rate of rise of current possible from the tube in the circuit.

Modulator Service

Peak anode voltage (see note 1)	70	kV max
Peak forward anode current	10	kA max
Peak reverse anode current	5	kA max
Average anode current	3.0	A max

Crowbar Service

Peak anode voltage (see note 1)	60	kV max
Peak forward anode current	40	kA max
Peak reverse anode current	25	kA max
Conducted charge	18	C max

GENERAL DATA

Electrical

Cathode (connected internally to one end of heater)	oxide coated
Cathode heater voltage	6.3 ^{+ 0.3} _{- 0.0} V
Cathode heater current	40 A
Reservoir heater voltage (see note 1)	5.0 V
Reservoir heater current	10 A
Tube heating time (minimum)	15 min

Mechanical

Seated height	301.0 mm (11.850 inches) max
Clearance required below mounting flange	57.15 mm (2.250 inches) min
Overall diameter (mounting flange)	152.4 mm (6.000 inches) nom
Net weight	5.9 kg (13 pounds) approx
Mounting position (see note 2)	any
Tube connections	see outline

Cooling

For all applications, either forced-air cooling or total liquid immersion cooling is needed.



Forced-air Cooling

The tube should be cooled by forced-air directed onto the base to maintain the envelope below the maximum rated temperature. A fan of air flow of at least 2.83 m³/min (100 ft³/min), depending on the mechanical layout, will be necessary to keep the tube operating temperature within the maximum specified below. A bolt-on anode heat extractor should be used when the tube is operating under extreme conditions of rate of rise and inverse current. Air cooling of the anode and grids is then necessary either from a separate air supply or by use of the air cooling the tube base.

Total Liquid Immersion

The tube should be cooled by total liquid immersion, for example in force-circulated transformer oil (see E2V Technologies Technical Reprint No. 108 'The cooling of oil-filled electrical equipment, with special reference to high power line-type pulse generators' by G. Scoles). Care must be taken to ensure that air is not trapped under the tube base.

In addition to 300 W of heater power, the tube dissipates from 100 W per ampere average anode current, rising to 300 W/A at the highest rates of rise and fall of anode current.

Envelope temperature:

ceramic, anode and grids	150	°C max
cathode flange and base	120	°C max

MAXIMUM AND MINIMUM RATINGS

These ratings cannot necessarily be used simultaneously, and no individual rating must be exceeded.

	Min	Typical	Max	
Anode (Pulse Modulator Service)				
Peak forward anode voltage	-	-	70	kV
Peak inverse anode voltage (see note 3)	-	-	70	kV
Peak forward anode current	-	-	10	kA
Average anode current	-	-	3.0	A
Pulse duration	-	2.0	-	µs
Rate of rise of anode current (see note 4)	-	> 100	-	kA/µs
Pulse repetition rate (see note 5)	-	100	-	pps

Anode (Single-Shot or Crowbar Service)

DC forward anode voltage	-	-	60	kV
Peak forward anode current	-	-	40	kA
Total conducted charge:				
capacitor discharge	-	-	0.4	C
crowbar service (see note 6)	-	-	18	C
Repetition rate	-	-	1 pulse per 10 s	

Grid 2 – Voltage driven

Unloaded grid 2 drive pulse voltage (see note 7)	500	-	2000	V
Grid 2 pulse duration	0.5	-	-	µs
Rate of rise of grid 2 pulse (see notes 4 and 8)	10	20	-	kV/µs
Grid 2 pulse delay (see note 9)	0.5	-	3.0	µs
Peak inverse grid 2 voltage	-	-	450	V
Loaded grid 2 bias voltage (see note 10)	-100	-	-180	V
Forward impedance of grid 2 drive circuit	50	-	500	Ω

Grid 1 – Pulse Current driven (See note 11)

Peak grid 1 drive current	30	100	150	A
Unloaded grid 1 drive pulse voltage (see note 7)	300	-	2000	V
Grid 1 pulse duration	1.0	-	-	µs
Peak inverse grid 1 voltage	-	-	450	V
Loaded grid 1 bias voltage	see note 12			

Grid 0

Grid 0 may be driven with 10% of the grid 1 pulse current, 25 to 100 mA positive DC bias from a 150 V ± 20% source, or connected directly to the cathode flange.

Heaters

Cathode heater voltage	6.3	6.3	6.6	V
Reservoir heater voltage	4.5	5.0	6.5	V
Tube heating time	15	-	-	min

Environmental (Operational)

Ambient temperature	0	-	+40	°C
Altitude	-	-	3	km
	-	-	10 000	ft

CHARACTERISTICS

	Min	Typical	Max	
Critical DC anode voltage for conduction (see note 13)	-	3.0	5.0	kV
Anode delay time (see notes 13 and 14)	-	0.1	0.25	µs
Anode delay time drift (see notes 13 and 15)	-	15	50	ns
Time jitter (see note 13)	-	1.0	5.0	ns
Recovery time	see note 5			
Cathode heater current (at 6.3 V)	35	40	45	A
Reservoir heater current (at 5.0 V)	8.0	10	12	A

NOTES

- The reservoir heater supply must be obtained either from the cathode heater supply or if a separate supply is used it must be decoupled with suitable capacitors (for example a 1 µF capacitor in parallel with a low inductance 1000 pF capacitor) to avoid damage to the reservoir. The recommended reservoir heater voltage for each individual tube is stamped on the tube envelope; for maximum rate of rise of current, the reservoir heater voltage should be set to the highest level compatible with the tube hold-off voltage being maintained. Permanent damage may result if the tube is operated below the minimum recommended reservoir voltage.
- The tube must be fitted using its mounting flange.
- The peak inverse voltage including spike must not exceed 10 kV for the first 25 µs after the anode pulse. Amplitude and rate of rise of inverse voltage contribute greatly to tube dissipation and electrode damage; if these are not minimised in the circuit, tube life will be shortened considerably. The aim should be for an inverse voltage of 3 – 5 kV peak with a rise time of 0.5 µs.
- This rate of rise refers to that part of the leading edge of the pulse between 10% and 90% of the pulse amplitude. For maximum rate of rise of anode current applications, grid 1 pre-pulsing must be used and the maximum value obtainable will depend on the external circuit parameters.
- This thyratron has a long recovery time because of the gradient grid drift space. The amount of time available for thyratron recovery must be maximised by circuit design, and reliable operation may necessitate the use of command charging techniques. The amount of time required for recovery is affected by gas pressure, peak current, pulse duration and load mismatch which keeps the thyratron in a conducting state.
- In crowbar service most of the coulombs are often in the power supply follow-on current rather than the storage capacitor discharge.
- Measured with respect to cathode.

8. A lower rate of rise may be used, but this may result in the anode delay time, delay time drift and jitter exceeding the limits quoted.
9. The last 0.25 μs of the top of the grid 1 pulse must overlap the corresponding first 0.25 μs of the top of the delayed grid 2 pulse.
10. The higher grid 1 is pulsed, the larger must the grid 2 negative bias be to prevent the tube firing on the grid 1 pulse.
11. For maximum thyratron life, grid 1 should be pulse driven. For crowbar applications grid 0 is usually DC primed so that the grid 0 current and voltage drop may be monitored to indicate that the thyratron is ready to fire.
12. DC negative bias voltages must not be applied to grid 0 or grid 1. When grids 0 and 1 are pulse driven, their potentials may vary between -10 V and $+5\text{ V}$ with respect to cathode potential during the period between the completion of recovery and the commencement of the succeeding grid pulse.
13. Typical figures are obtained on test using conditions of minimum grid drive. Improved performance can be expected by increasing grid drive.
14. The time interval between the instant at which the rising unloaded grid 2 pulse reaches 25% of its pulse amplitude and the instant when anode conduction takes place.
15. The drift in delay time over a period from 10 seconds to 10 minutes after reaching full voltage.

HEALTH AND SAFETY HAZARDS

E2V Technologies hydrogen thyratrons are safe to handle and operate, provided that the relevant precautions stated herein are observed. E2V Technologies does not accept responsibility for damage or injury resulting from the use of electronic devices it produces. Equipment manufacturers and users must ensure that adequate precautions are taken. Appropriate warning labels and notices must be provided on equipments incorporating E2V Technologies devices and in operating manuals.



High Voltage

Equipment must be designed so that personnel cannot come into contact with high voltage circuits. All high voltage circuits and terminals must be enclosed and fail-safe interlock switches must be fitted to disconnect the primary power supply and discharge all high voltage capacitors and other stored charges before allowing access. Interlock switches must not be bypassed to allow operation with access doors open.

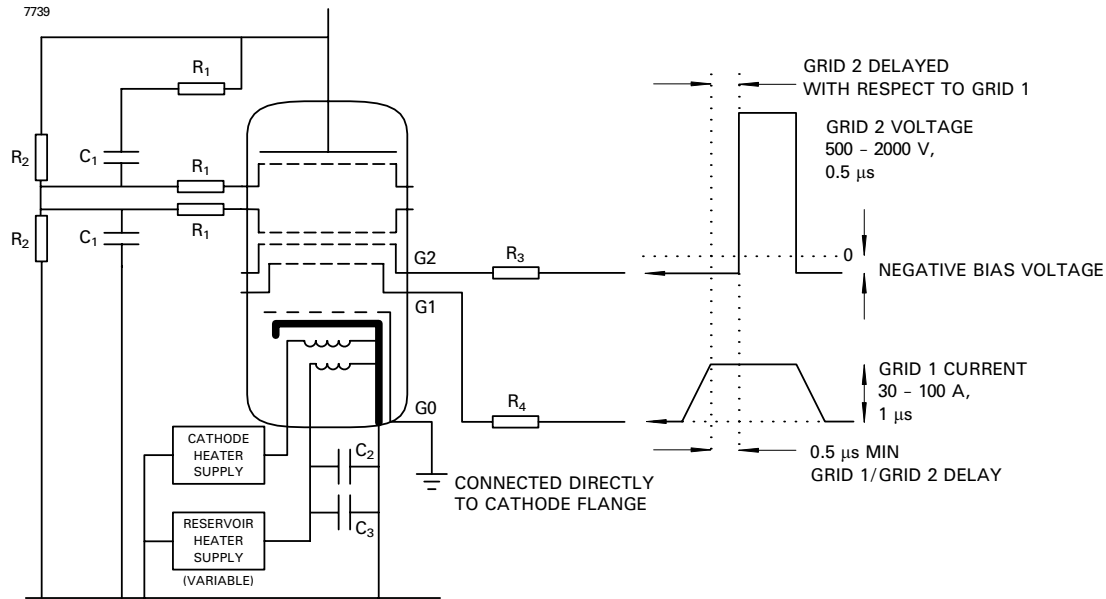


X-Ray Radiation

All high voltage devices produce X-rays during operation and may require shielding. The X-ray radiation from hydrogen thyratrons is usually reduced to a safe level by enclosing the equipment or shielding the thyratron with at least 1.6 mm ($\frac{1}{16}$ inch) thick steel panels.

Users and equipment manufacturers must check the radiation level under their maximum operating conditions.

SCHEMATIC DIAGRAM (Modulator and Low Frequency Service)

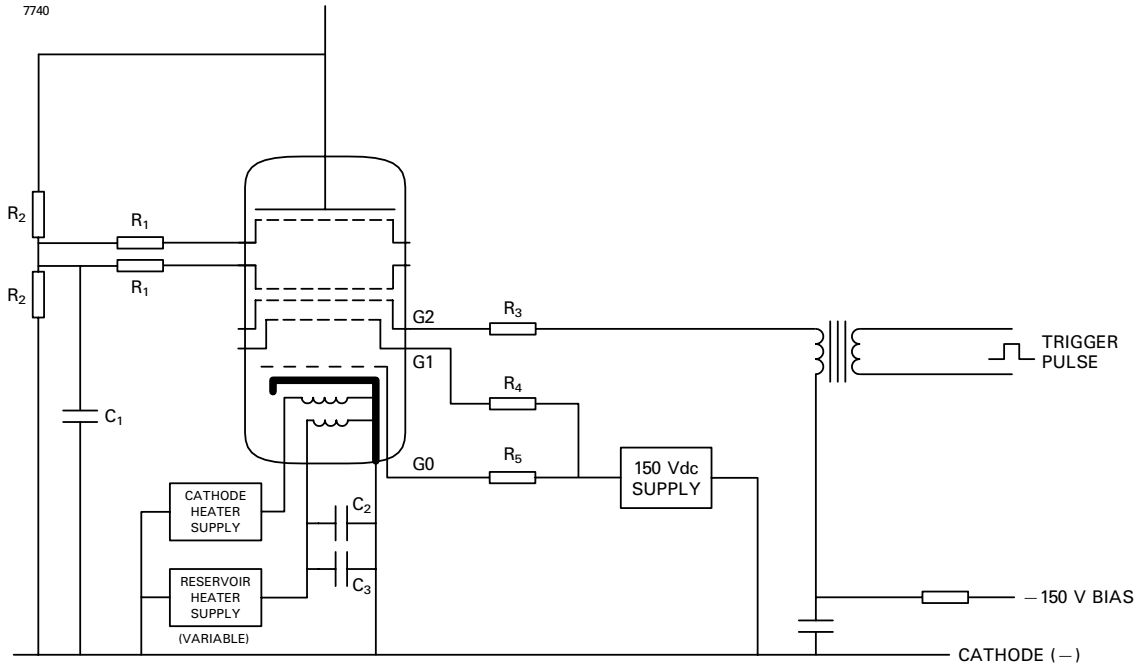


RECOMMENDED GRADIENT GRID, TRIGGER GRID, CATHODE AND RESERVOIR HEATER CONNECTIONS

- R_1 = 470 Ω 2.5 W vitreous enamelled wirewound resistors.
- R_2 = 5 to 20 M Ω high voltage resistors with a power rating consistent with forward anode voltage.
- R_3 = Grid 2 series resistor. 12 W vitreous enamelled wirewound is recommended, of an impedance to match the grid 2 drive pulse circuit.
- R_4 = Grid 1 series resistor. 12 W vitreous enamelled wirewound is recommended, of an impedance to set the grid 1 pulse current.
- C_1 = 300 to 500 pF capacitors with a voltage rating equal to the peak forward voltage. These capacitors may be needed to divide the voltage correctly across each gap when charging times are less than 5 ms approx.
- C_2, C_3 - Reservoir protection capacitors with a voltage rating ≥ 500 V;
 - C_2 = 1000 pF low inductance (e.g. ceramic),
 - C_3 = 1 μ F (e.g. polycarbonate or polypropylene).

Components R_3 , R_4 , C_2 and C_3 should be mounted as close to the tube as possible.

SCHEMATIC DIAGRAM (Crowbar Service)



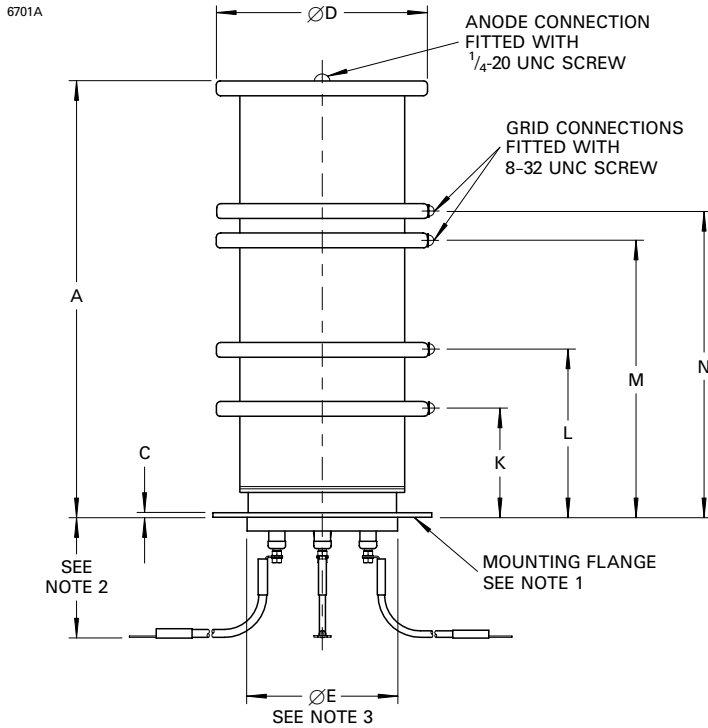
RECOMMENDED GRADIENT GRID, TRIGGER GRID, CATHODE AND RESERVOIR HEATER CONNECTIONS

- R₁ = 470 Ω 12 W vitreous enamelled wirewound resistors.
- R₂ = 10 to 25 MΩ high voltage resistors with a power rating consistent with forward anode voltage.
- R₃ = Grid 2 series resistor. 12 W vitreous enamelled wirewound is recommended, of an impedance to match the grid 2 drive pulse circuit.
- R₄ = Grid 1 series resistor. 12 W vitreous enamelled wirewound is recommended.
- R₅ = Grid 0 series resistor. 12 W vitreous enamelled wirewound is recommended.
- C₁ = 500 to 1000 pF capacitor with a voltage rating equal to the peak forward voltage
- C₂, C₃ – Reservoir protection capacitors with a voltage rating ≥ 500 V;
 - C₂ = 1000 pF low inductance (e.g. ceramic),
 - C₃ = 1 μF (e.g. polycarbonate or polypropylene).

Components R₃, R₄, R₅, C₂ and C₃ should be mounted as close to the tube as possible.

OUTLINE

(All dimensions without limits are nominal)

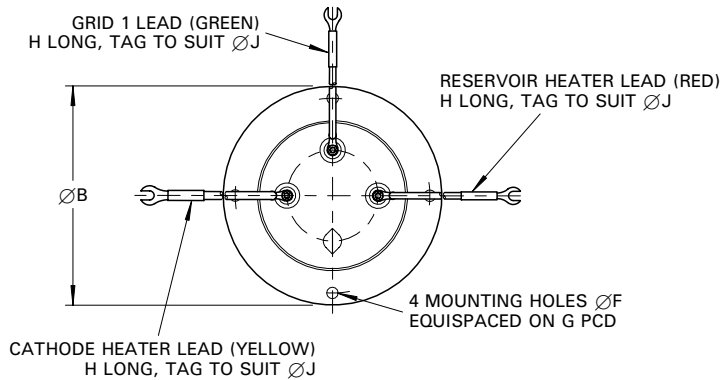


Ref	Millimetres	Inches
A	301.0 max	11.850 max
B	152.40 ± 0.25	6.000 ± 0.010
C	3.18	0.125
D	146.99 ± 1.57	5.787 ± 0.062
E	106.3 max	4.187 max
F	8.0	0.315
G	135.74 ± 0.25	5.344 ± 0.010
H	177.8	7.000
J	6.35	0.250
K	78.36	3.085
L	119.9	4.720
M	197.8	7.787
N	216.0	8.504

Inch dimensions have been derived from millimetres.

Outline Notes

1. The mounting flange is the connection for the cathode, cathode heater return and reservoir heater return.
2. A minimum clearance of 57.15 mm (2.250 inches) must be allowed below the mounting flange.
3. The recommended mounting hole is 108 mm (4.250 inches) diameter.



Whilst E2V Technologies has taken care to ensure the accuracy of the information contained herein it accepts no responsibility for the consequences of any use thereof and also reserves the right to change the specification of goods without notice. E2V Technologies accepts no liability beyond that set out in its standard conditions of sale in respect of infringement of third party patents arising from the use of tubes or other devices in accordance with information contained herein.