

E2V Technologies

MA2161A, MA2161B

Thyratron Cooling Modules

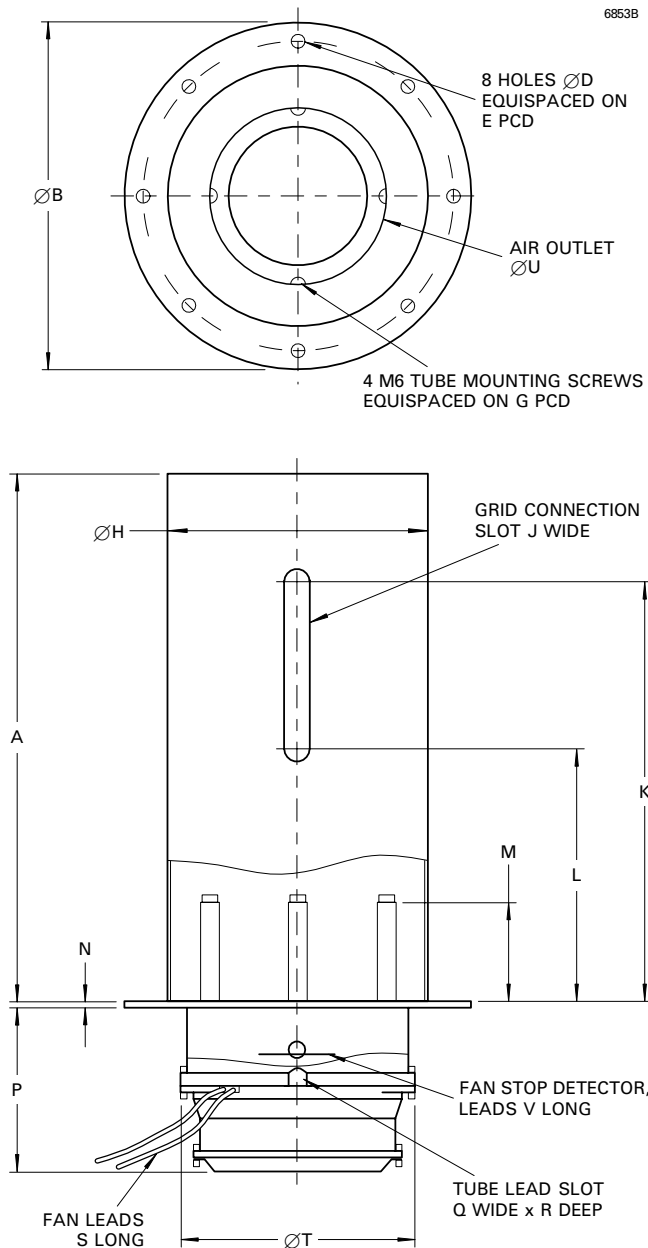
INTRODUCTION

The MA2161A/MA2161B cooling modules are designed to air-cool the E2V Technologies range of large metal envelope thyratrons. The MA2161A is fitted with a 110 V 40 W fan and the MA2161B with a 220 V 40 W fan.

The cooling system consists of a thyratron mounting flange assembly, grid connectors, upper and lower plastic air ducts,

OUTLINE

(All dimensions without limits are nominal)



and a fan. To prevent the thyratron overheating, a fan stop detection device (see Fig. 1) is fitted to lower plastic duct above the fan. This consists of a vane-operated reed switch, the contacts of which must be connected to the control circuitry so that all power (high voltage and thyratron heater supplies) is removed from the thyratron in the event of air flow reduction or stoppage.

Nominal mains power supply voltage:

MA2161A	110	V ac
MA2161B	220	V ac
Ambient temperature	0 to 60	°C
Weight	4.0	kg

Maximum electrical contact ratings for reed switch:

	AC	DC	
Voltage	240	120	V
Current	0.6	0.6	A
Power (resistive load)	25	25	W

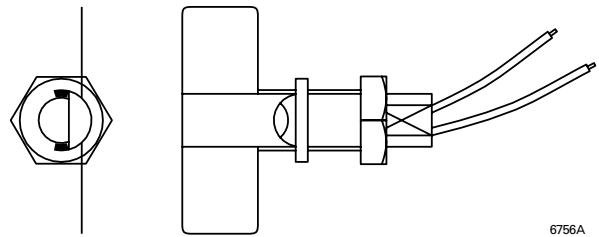


Fig. 1. Fan stop detection device

Ref	Millimetres	Inches
A	406.4 max	16.000 max
B	266.7	10.500
D	11.50	0.453
E	238.13	9.375
G	135.7	5.343
H	200.0	7.874
J	19.05	0.750
K	326.0 max	12.835 max
L	193.0 max	7.598 max
M	76.2	3.000
N	4.75	0.187
P	145.0 max	5.709 max
Q	16.0	0.630
R	16.0	0.630
S	254.0 min	10.000 min
T	181.0 max	7.126 max
U	135.7	5.343
V	450.0 min	17.717 min

Inch dimensions have been derived from millimetres.

Whilst E2V Technologies has taken care to ensure the accuracy of the information contained herein it accepts no responsibility for the consequences of any use thereof and also reserves the right to change the specification of goods without notice. E2V Technologies accepts no liability beyond that set out in its standard conditions of sale in respect of infringement of third party patents arising from the use of tubes or other devices in accordance with information contained herein.

E2V Technologies Limited, Waterhouse Lane, Chelmsford, Essex CM1 2QU England Telephone: +44 (0)1245 493493 Facsimile: +44 (0)1245 492492
 e-mail: enquiries@e2vtechnologies.com Internet: www.e2vtechnologies.com Holding Company: Redwood 2002 Limited

E2V Technologies Inc. 4 Westchester Plaza, PO Box 1482, Elmsford, NY10523-1482 USA Telephone: (914) 592-6050 Facsimile: (914) 592-5148
 e-mail: enquiries@e2vtechnologies.us